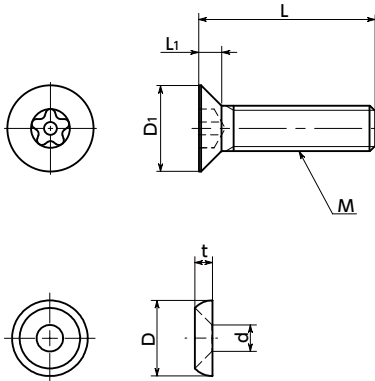


SRGFS-SET Five - Lobe Socket with Pin Flat Head Screws Rosette Washer Set



Tamper Resistance SUS Stainless steel



● Material/Finish



	SRGFS-SET
Main Body	SUSXM7
Rosette Washer	SUS303
Strength Class	Equivalent to A2-50

- Set of five-lobe socket countersunk head screws **SRGFS** and rosette washers **SWAS-RW**.
- **SRGFS** can be used without countersinking.
- **SRGFS** cannot be mounted or removed with normal tools. Since the combined use of **SWAS-RW** will disable pinching and rotating **SRGFS** directly, the anti-theft performance is improved.
- Install and remove with **SRGB** Dedicated Bits and **SRD** Dedicated Magnetic Screwdriver together.

● Application

Equipment/devices disassembly/tampering prevention
Theft prevention for outdoor facilities
Security measures
Safety measures

Unit : mm

Part Number	M (Coarse)		L							D1	L1	D	d	t	Bit Part No.	Screwdriver Part No.	Mass (g)	Qty per Pack
	Nominal of Thread	Pitch	10	16	20	25	30	40	50									
SRGFS-M4-SET	M4	0.7	10	16	20					8	2.3	12	4.5	2.5	SRGB-4	SRD-6.35	1.03 - 1.78	10
SRGFS-M5-SET	M5	0.8	10	16	20	25	40			10	2.8	14	5.5	3	SRGB-56	SRD-6.35	1.73 - 5.27	10
SRGFS-M6-SET	M6	1	12	16	20	25	30	40	50	12	3.4	16	6.5	3.5	SRGB-56	SRD-6.35	3.04 - 9.63	10

● When purchasing less volume than one full bag, a separate handling fee is charged. For details, see the Sold Separately Service.

● Related Products

SRGB applicable bits are available.

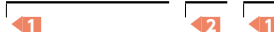


Dedicated magnetic screwdrivers **SRD** are available.



● Part Number Specification

SRGFS-M5-16-SET



Individual Sales Available / Add'l charge	Cleanroom Wash & Packaging Available / Add'l charge	Screw Length Adjustment Available / Add'l charge	Vibration Resistant Available / Add'l charge	Modification process for captive use Not Available
--	--	---	---	---