

● Material/Finish



	NQTS-F
Main Body	SUS303
Knob	Glass Fiber Reinforced Nylon
Hex Socket Head Cap Screw	Stainless Steel

- In combination with the dedicated cam base, jigs can be easily mounted and removed without tools.
- Just rotate the knob 90° to clamp and unclamp: ideal for repetitive work.
- When unclamped, the clamp pin is stored in the main body, with no exterior protrusion, enabling free slide operation.
- The knob is reverse-tapered to a hand-friendly round shape, with laser engraving on the main body enabling corrosion resistance to be retained.
- The knob projection and laser engraving make the clamping status clear at a glance.
- The knob operation part has passed 50,000 operation tests. With excellent endurance, it reduces part replacement frequency.
- Two hex socket head cap screws for mounting are provided.
- For mounting to plates from 3mm to less than 6mm, use the dedicated spacer **NQTS-SPCR**.

Unit : mm

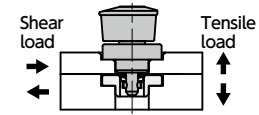
Part Number	F	L1	L3	I	L2	D	M (Coarse)		Lf	E	B	s	L	Applicable Plate Thickness		Repeated Positioning Accuracy	Clamping Force *1 (N)	Mass (g)
							Nominal of Thread	Pitch						Without NQTS-SPCR	With NQTS-SPCR			
NQTS-5-F-BK	25	33.1	5.5	14	6	13.9	M2.5	0.45	4	10	5	15.6	23	6~10	3~6	±0.1	60	42
NQTS-8-F-BK	34	41.5	5.5	18	9.5	18.5	M3	0.5	6	13	8	17	29.5	6~14	3~6	±0.1	90	103

*1 : Clamping force is the maximum allowable load retaining the mounting plate clearance within 0.1mm against tensile load.

Cleanroom Wash & Packaging
Not Available

Laser Marking
Not Available

● Max. Allowable Load

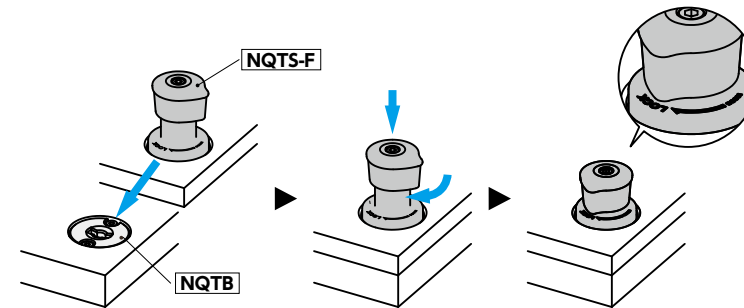


Part Number	Max. Allowable Shear Load (N)	Max. Allowable Tensile Load (N)
NQTS-5-F-BK	1800	1200
NQTS-8-F-BK	3200	2600



● Usage Example

In combination with dedicated cam base **NQTB**, etc.



● Related Products

Dedicated cam bases are available.



Dedicated spacer **NQTS-SPCR** is available.



● Part Number Specification

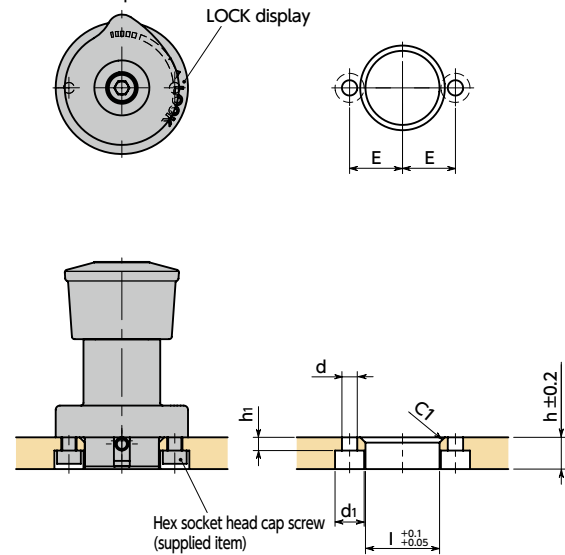
NQTS-5-F-BK



● Mounting

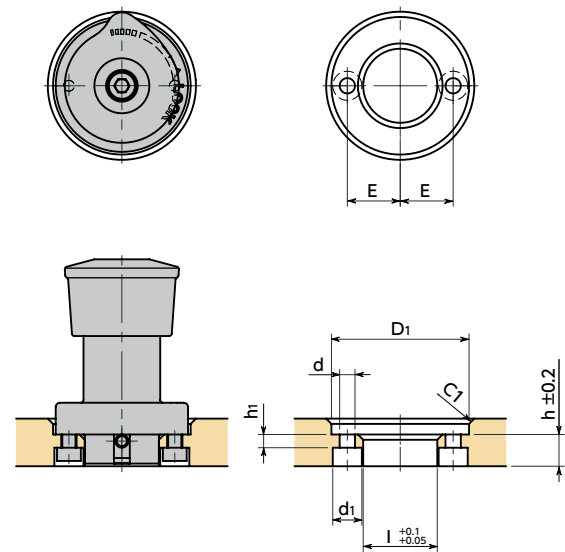
The LOCK display is laser engraved on a straight line from the mounting hole. Set the LOCK display and mounting hole position with attention to workability.

When the plate thickness is from 3mm to less than 6mm, refer to **NQTS-SPCR** mounting.



Unit : mm

Part Number	Applicable Plate Thickness	l	h	E	d	d ₁	h ₁
NQTS-5-F-BK	6	14	6	10	2.9	5.5	2.5
NQTS-8-F-BK	6	18	6	13	3.4	6.5	2.5



Unit : mm

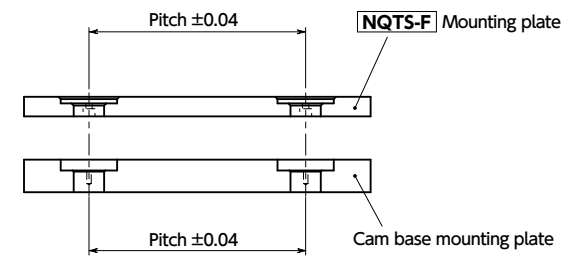
Part Number	Applicable Plate Thickness	l	D ₁	h	E	d	d ₁	h ₁
NQTS-5-F-BK	6~10	14	26	6	10	2.9	5.5	2.5
NQTS-8-F-BK	6~14	18	35	6	13	3.4	6.5	2.5

Cleanroom Wash & Packaging
Not Available

Laser Marking
Not Available

● Pitch Precision Between Holes

The pitch tolerance of the **NQTS-F** mounting plate and the cam base mounting plate should be ± 0.04 mm or below.



● Repeated Positioning Accuracy

Repeated positioning accuracy is ± 0.1 mm. When even higher-precision positioning is required, prepare a positioning pin suited to the application.

