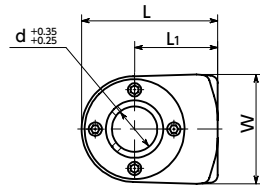
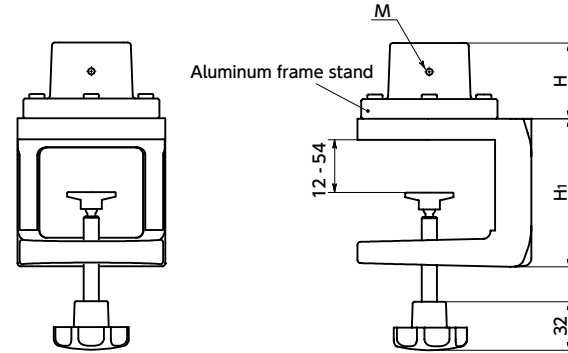
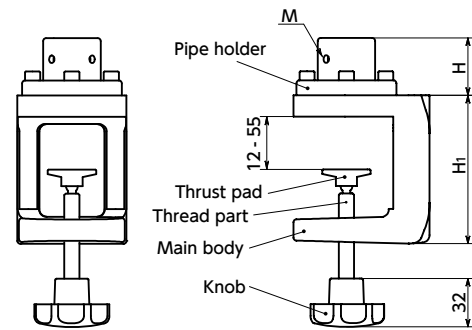
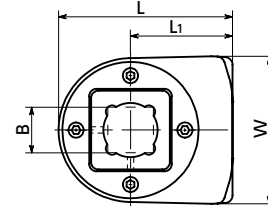


**DCH-R** Pipes supported



**DCH-S** Aluminum frames supported



● Material/Finish

	<b>DCH-R</b>	<b>DCH-S</b>
Main Body	FC200 or Above Cathodic Electrodeposition Coating (Black)	FC200 or Above Cathodic Electrodeposition Coating (Black)
Pipe Holder	S45C Electroless Nickel Plating	-
Aluminum Frame Stand	-	FC200 or Above Electroless Nickel Plating
Hex Socket Set Screw	SUSXM7	SUSXM7
Knob	Nylon 6 (Matte Black)	Nylon 6 (Matte Black)
Thread part	SUSXM7	SUSXM7
Thrust pad	Polyacetal (Matte Black)	Polyacetal (Matte Black)



- Mounting stand which can be clamped to desks, etc.
- Supports pipes in  $\phi 30$  and  $\phi 40$  sizes as well as aluminum frames in  $\square 30$  and  $\square 40$  sizes.
- Hex socket set screws are provided for fixing.
- Pipe Holders **DPH** and Aluminum Frame Stands **DAS** can be ordered individually as replacements.



Part Number	W	d	B	L	L <sub>1</sub>	H	H <sub>1</sub>	M*1	Applicable Pipe Holder	Applicable Aluminum Frame Stand	Applicable Knob	Mass (kg)
<b>DCH-70-30-R</b>	70	30	-	90	55	38	98	M6	DPH-30-R	-	KSGMS-50 - M10 - 65-SBP32	2.3
<b>DCH-80-40-R</b>	80	40	-	100	60	38	98	M6	DPH-40-R	-	KSGMS-50 - M10 - 65-SBP32	2.8
<b>DCH-95-30-S</b>	95	-	$\square 30$	115	67.5	50	98	M5	-	DAS-30-R	KSGMS-50 - M10 - 65-SBP32	4.1
<b>DCH-115-40-S</b>	115	-	$\square 40$	135	77.5	50	98	M6	-	DAS-40-R	KSGMS-50 - M10 - 65-SBP32	5.9

Unit : mm

\*1 : Two hex socket set screws are provided for fixing.

● Related Products

Pipe Holders **DPH** and Aluminum Frame Stands **DAS** are also available for individual purchase.



● Part Number Specification

**DCH-70-30-R**

