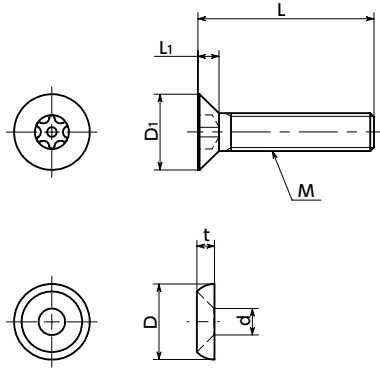


SRFXS-SET Flat Head Bolts with Hexalobular Socket (with Pin) Rosette Washer Set

SUS Stainless steel Tamper Resistance



● Material/Finish

	SRFXS-SET
Flat Head Bolt with Hexalobular Socket (with Pin)	Equivalent to SUS304
Rosette Washer	SUS303



- Set of Flat Head Bolt with Hexalobular Socket*1 **SRFXS** (→ P.xxxx) and Rosette Washer **SWAS-RW** (→ P.xxxx).
 - **SRFXS** can be used without countersinking.
 - **SRFXS** cannot be mounted or removed by normal tools. Since the combined use of **SWAS-RW** will disable pinching and rotating **SRFXS** directly, the anti-theft performance is improved.
 - Install and remove with **SRX** Dedicated Wrench or **SRXB** Dedicated Bit and **SRD** Dedicated Magnetic Screwdriver together.
- *1 : The hexalobular shape is prescribed by JIS B 1015: 2008(ISO 10664: 2005)"Hexalobular internal driving feature for bolts and screws".

● Application

Machinery / Tools / Equipment / Devices disassembly prevention / Tampering prevention / Theft prevention for outdoor facilities / Security measures / Safety measures / Decoration / Prevention from getting caught

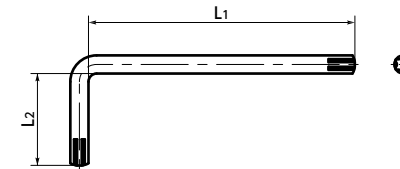
Part Number	M (Coarse)		L	D1	L1	D	d	t	Applicable Wrench Type	Applicable Bit Type		Hexalobular Socket No.	Mass (g)	Qty per Pack
	Nominal of Thread	Pitch								Bit	Driver			
SRFXS-M3-SET	M3	0.5	6 8 10 12	6	1.75	10	3.5	2	SRX-10	SRXB-10	SRD-6.35	10	1.3- 1.5	10
SRFXS-M4-SET	M4	0.7	8 10 12 16 20	8	2.3	12	4.5	2.5	SRX-20	SRXB-20	SRD-6.35	20	2.2- 3.1	10
SRFXS-M5-SET	M5	0.8	10 12 16 20 25	10	2.8	14	5.5	3	SRX-25	SRXB-25	SRD-6.35	25	4 - 5.9	10
SRFXS-M6-SET	M6	1	10 12 16 20 25 30	12	3.4	16	6.5	3.5	SRX-30	SRXB-30	SRD-6.35	30	6.4- 10	10

● When purchasing less volume than one full bag, a separate handling fee is charged. For details, see the Sold Separately Service.

● **SRX** Dedicated Wrench

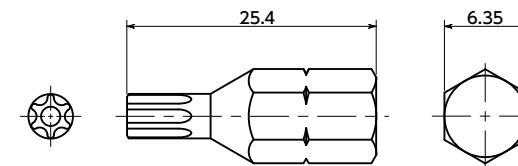
Unit : mm

Part Number	L1	L2	Mass (g)
SRX-10	60	20	3.7
SRX-20	67	23	8.2
SRX-25	70	25	11
SRX-30	81	28	20



● **SRXB** Bit Part No.

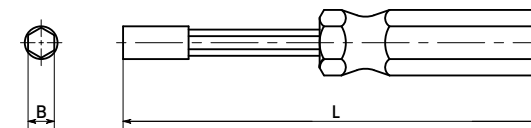
Part Number	Mass (g)
SRXB-10	4.36
SRXB-20	4.57
SRXB-25	4.79
SRXB-30	5.50



● **SRD** Dedicated magnet screwdriver

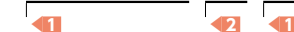
Unit : mm

Part Number	L	B	Mass (g)
SRD-6.35	210	6.35	98



● Part number specification

SRFXS-M5-16-SET



Individual Sales → P.xxxx	Cleanroom Wash & Packaging → P.xxxx	Screw Length Adjustment → P.xxxx	Vibration Resistant → P.xxxx	Modification process for captive use → P.xxxx
Available / Add'l charge	Available / Add'l charge	Available / Add'l charge	Available / Add'l charge	Not Available