

● Material/Finish



	NLSPS
Main Body	SCS13
Hex Socket Head Cap Screw	SUSXM7

- Compact type stoppers for linear guides. For space-saving of equipment/devices and applications with limited space.
- Made of stainless steel. Suitable for environments where corrosion resistance is required.
- Hex socket head cap screws for mounting are provided with all products.

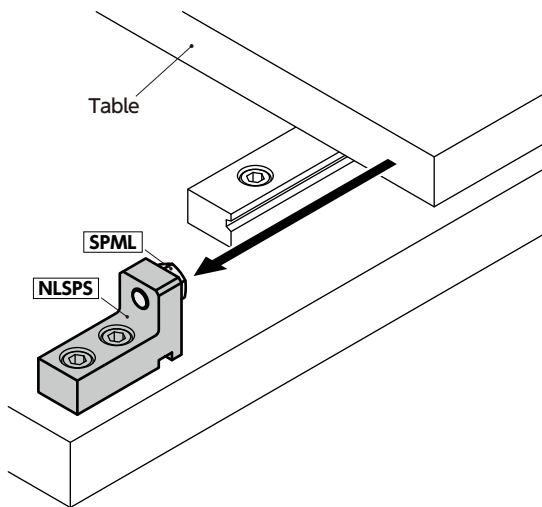
● Application

Table retention and fall prevention
Stoppers for emergencies

Unit : mm

Part Number	W	H	A	B	E	F	G	C	S	P	T	M (Coarse)		D	Hex Socket Head Cap Screw	Mass (g)
												Nominal of Thread	Pitch			
NLSPS-01	12	20	15	2	7	9	4	5	14	12	32	M5	0.8	4.5	M4×12	32.1
NLSPS-02	14	23	18	2	8	10	4	5	16	15	38	M5	0.8	5.5	M5×12	50.1
NLSPS-03	16	27	19.5	2.5	11	12	5	8	19	17	44	M8	1.25	6.6	M6×12	79.79

● Usage Example



● Related Products

Stainless steel stopper bolts are available.



● Part Number Specification

NLSPS-03



Cleanroom Wash & Packaging	Screw Combination	Screw Length Adjustment	Vibration Resistant	Laser Marking
Please feel free to contact us	Not Available	Not Available	Not Available	Available / Add'l charge