

- Compact stoppers for linear guides with threaded holes (fine) machined. For space-saving of equipment/devices and applications with limited space.
- In combination with fine screw thread stopper bolts*1, fine adjustment is easy.
- Hex socket head cap screws for mounting are provided with all products.

*1: Stopper bolts are not provided. The customer is asked to prepare them.

• Application

Table position adjustment
Table retention and fall prevention
Stoppers for emergencies

• Material/Finish

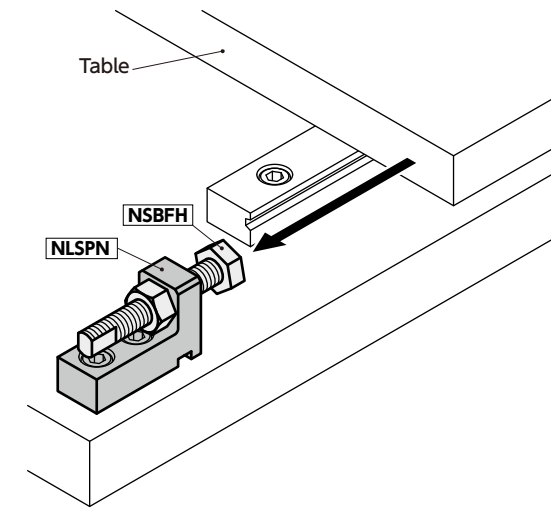


	NLSPN
Main Body	S25C Ferrosferric Oxide Film (Black)
Hex Socket Head Cap Screw	SCM435 Ferrosferric Oxide Film (Black)

Unit : mm

Part Number	W	H	A	B	E	F	G	C	S	P	T	M (Fine)		D	Hex Socket Head Cap Screw	Mass (g)
												Nominal of Thread	Pitch			
NLSPN-01	12	20	14	2	7	9	4	5	14	12	32	M6	0.75	4.5	M4×12	30.8
NLSPN-02	14	23	17	2	8	10	4	5	16	15	38	M6	0.75	5.5	M5×12	49.2
NLSPN-03	16	27	19.5	2.5	11	12	5	8	19	17	44	M8	1.0	6.6	M6×12	79.5
NLSPN-04	22	34	26	2.5	13	16	5	8	25	22	57	M8	1.0	9	M8×16	184.7

• Usage Example



- Use the lock nut on the opposite side of the side that receives the force.



• Related Products

Stopper bolts **NSBFH** are available.

Rounded head type stopper bolts **NSBRH** are available.

Stopper bolts with urethane pad **NSBUH** are available.



• Part Number Specification

NLSPN-03



Cleanroom Wash & Packaging	Screw Combination	Screw Length Adjustment	Vibration Resistant	Laser Marking
Not Available	Not Available	Not Available	Not Available	Available / Add'l charge