

● Material/Finish



	NLSP
Main Body	S25C Ferrosoferric Oxide Film (Black)
Hex Socket Head Cap Screw	SCM435 Ferrosoferric Oxide Film (Black)

- Compact type stoppers for linear guides. For space-saving of equipment/devices and applications with limited space.
- Hex socket head cap screws for mounting are provided with all products.

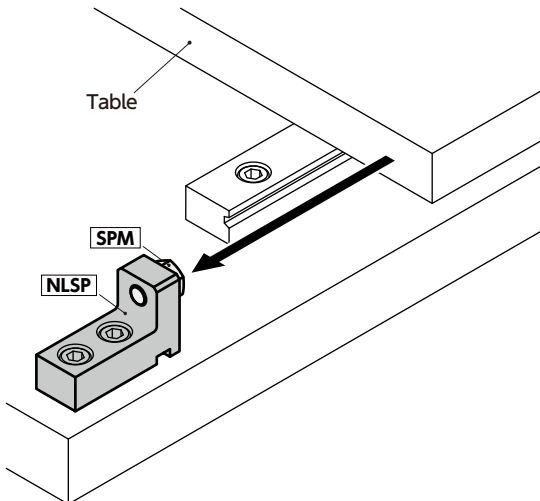
● Application

Table retention and fall prevention
Stoppers for emergencies

Unit : mm

Part Number	W	H	A	B	E	F	G	C	S	P	T	M (Coarse)		D	Hex Socket Head Cap Screw	Mass (g)
												Nominal of Thread	Pitch			
NLSP-01	12	20	15	2	7	9	4	5	14	12	32	M5	0.8	4.5	M4×12	32.54
NLSP-02	14	23	18	2	8	10	4	5	16	15	38	M5	0.8	5.5	M5×12	49.84
NLSP-03	16	27	19.5	2.5	11	12	5	8	19	17	44	M8	1.25	6.6	M6×12	79.01
NLSP-04	22	34	26	2.5	13	16	5	8	25	22	57	M8	1.25	9	M8×16	187.01

● Usage Example



● Related Products

Stopper bolts **SPM** are available.



Rounded head type stopper bolts **SPM-B** are available.



● Part Number Specification

NLSP-03



Cleanroom Wash & Packaging	Screw Combination	Screw Length Adjustment	Vibration Resistant	Laser Marking
Not Available	Not Available	Not Available	Not Available	Available / Add'l charge