

● Material/Finish



	<b>NLSK</b>
Main Body	S45C Isonite (Formerly Tufftride)

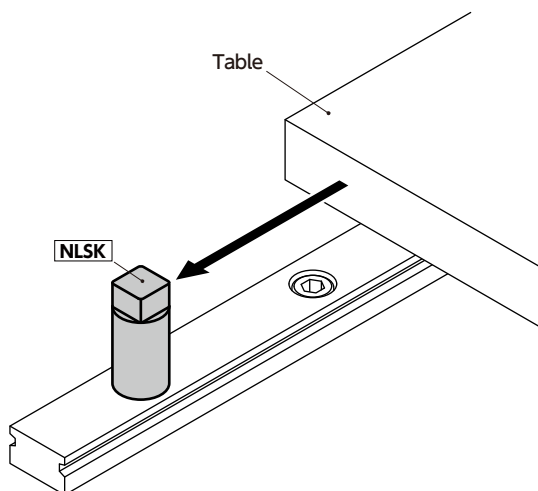
- Stoppers for linear guides which can be directly mounted on guide rails. Mounting hole machining is not required.
- Guide rail fixing is also possible.
- Supported rail sizes are 15 mm/20 mm/25 mm/30 mm/35 mm.
- Application

Table retention and fall prevention  
Stoppers for emergencies  
Guide rail fixing

Unit : mm

Part Number	L	L1	L2	L3	A	M (Coarse)		D	D1	Mass (g)
						Nominal of Thread	Pitch			
NLSK-01	33	17.5	5.5	6	6	M3	0.5	8	5.8	9.6
NLSK-02	41	22.5	5.5	6	6	M3	0.5	8	5.8	11.5
NLSK-03	45	22	6.3	8	8	M4	0.7	10	7.3	17.9
NLSK-04	48	25	6.3	8	8	M4	0.7	10	7.3	19.6
NLSK-05	41	21	9	9	10	M5	0.8	12	9.3	25
NLSK-06	50	24	9.5	10	10	M5	0.8	12	9.3	29.3
NLSK-07	49	23	10	11	13	M6	1	15	10.8	42.5
NLSK-08	57	28	10	11	13	M6	1	15	10.8	50
NLSK-09	60	27	10	11	13	M6	1	15	10.8	49.2
NLSK-10	66	32	10	11	13	M6	1	15	10.8	56.4
NLSK-11	70	30	13	14	17	M8	1.25	19	13.8	91.4
NLSK-12	75	33	13	14	17	M8	1.25	19	13.8	98.6

● Usage Example



● Part Number Specification

**NLSK-03**



Cleanroom Wash & Packaging	Screw Combination	Screw Length Adjustment	Vibration Resistant	Laser Marking
Not Available	Not Available	Not Available	Not Available	Available / Add'l charge