

*: Check the H dimension based on the distance from the mounting surface to the top surface of the table and select accordingly.

● Material/Finish



NLSES	
Main Body	SUS304
Hex Socket Head Cap Screw	SUSXM7

Unit : mm

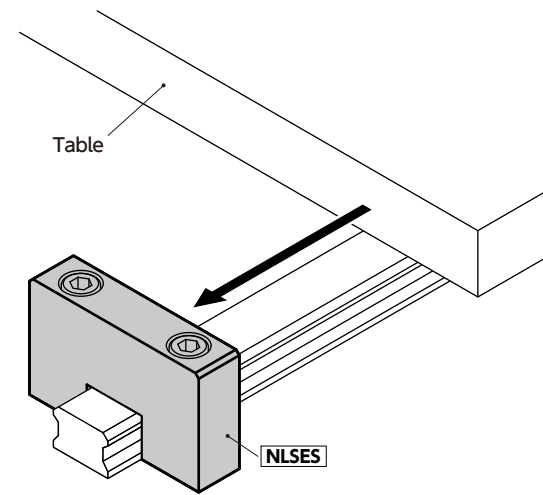
Part Number	W	H	S ₁	S ₂	P	T	D	Hex Socket Head Cap Screw	Mass (g)
NLSES-01	50	30	16	11	32	12	5.5	M5×35	122
NLSES-02	50	38	16	16	32	12	5.5	M5×40	149
NLSES-03	50	43	16	16	32	12	5.5	M5×45	172.6
NLSES-04	50	35	21	12	32	12	5.5	M5×40	137.8
NLSES-05	50	43	21	17	32	12	5.5	M5×45	163.5
NLSES-06	50	45	21	19	32	12	5.5	M5×50	169.7
NLSES-07	50	40	24	16	36	16	6.6	M6×45	196.3
NLSES-08	50	50	24	23	36	16	6.6	M6×55	235.8
NLSES-09	65	57	29	27	45	16	9	M8×60	348.9
NLSES-10	75	65	35	30	55	16	9	M8×70	463.5

- Gate type stoppers for linear guides. Mountable from rail top.
- Made of stainless steel. Suitable for environments where corrosion resistance is required.
- Supported rail sizes are 15 mm/20 mm/25 mm/30 mm/35 mm.
- Hex socket head cap screws for mounting are provided with all products.

● Application

Table retention and fall prevention
Stoppers for emergencies

● Usage Example



● Part Number Specification

NLSES-03



Cleanroom Wash & Packaging	Screw Combination	Screw Length Adjustment	Vibration Resistant	Laser Marking
Please feel free to contact us	Not Available	Not Available	Not Available	Available / Add'l charge