

*: Check the A dimension based on the distance from the mounting surface to the top surface of the table and select accordingly.

- Gate type stoppers for linear guides with embedded stopper bolts with urethane pads **NSBUH**. Mountable from rail top.
- Urethane softens the noise of metal hitting metal.
- Stopper bolts are the fine screw thread type, enabling easy fine adjustment of the screw-in depth.
- Stopper bolts with urethane pads use fine specifications, enabling precise position adjustment.
- Supported rail sizes are 15 mm/20 mm/25 mm/30 mm/35 mm.
- Hex socket head cap screws for mounting are provided with all products.

• Application

Softens the noise of metal hitting metal
Table position adjustment
Table retention and fall prevention
Stoppers for emergencies

• Material/Finish

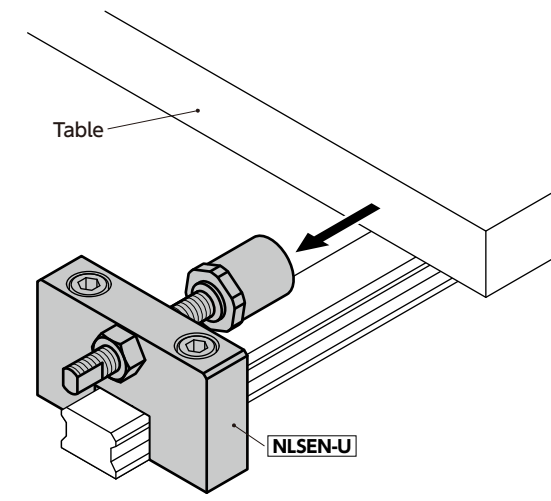


		NLSEN-U
Main Body		SS400 Ferrosferric Oxide Film (Black)
Hex Socket Head Cap Screw		SCM435 Ferrosferric Oxide Film (Black)
Stopper Bolt with Urethane Pad NSBUH	Urethane NSBUH-U	Urethane (Black) Shore Hardness A90
	Stopper Bolt	S45C Electroless Nickel Plating
	Lock Nut	SUS304

Unit : mm

Part Number	W	H	A	S1	S2	P	T	M (Fine)		D	L	L2	Hex Socket Head Cap Screw	Mass (g)
								Nominal of Thread	Pitch					
NLSEN-01-U	50	30	23.5	16	11	32	12	M6	0.75	5.5	58	43	M5×35	138
NLSEN-02-U	50	38	31.5	16	16	32	12	M6	0.75	5.5	58	43	M5×40	165.3
NLSEN-03-U	50	43	35.5	16	16	32	12	M6	0.75	5.5	58	43	M5×45	188.5
NLSEN-04-U	50	35	27.5	21	12	32	12	M8	1.0	5.5	68	53	M5×40	164.2
NLSEN-05-U	50	43	35.5	21	17	32	12	M8	1.0	5.5	68	53	M5×45	189.5
NLSEN-06-U	50	45	37.5	21	19	32	12	M8	1.0	5.5	68	53	M5×50	195.2
NLSEN-07-U	50	40	32.5	24	16	36	16	M8	1.0	6.6	68	53	M6×45	222.2
NLSEN-08-U	50	50	40.5	24	23	36	16	M8	1.0	6.6	68	53	M6×55	260.9
NLSEN-09-U	50	50	43.5	24	23	36	16	M8	1.0	6.6	68	53	M6×55	265.2
NLSEN-10-U	65	57	49.5	29	27	45	16	M8	1.0	9	68	53	M8×60	373.9
NLSEN-11-U	75	65	55.5	35	30	55	16	M8	1.0	9	68	53	M8×70	486.4

• Usage Example



- Use the lock nut on the opposite side of the side that receives the force.



• Related Products

Replacement stopper bolts with urethane pad **NSBUH-U** are available.



Replacement urethane pads **NSBUH-U** are available.



• Part Number Specification

NLSEN-03-U



Cleanroom Wash & Packaging	Screw Combination	Screw Length Adjustment	Vibration Resistant	Laser Marking
Not Available	Not Available	Not Available	Not Available	Available / Add'l charge