

\*: Check the H dimension based on the distance from the mounting surface to the top surface of the table and select accordingly.

● Material/Finish



	NLSDS
Main Body	SUS304
Hex Socket Head Cap Screw	SUSXM7

- Stoppers for linear guides.
- Made of stainless steel. Suitable for environments where corrosion resistance is required.
- Supported rail sizes are 15 mm/20 mm/25 mm/30 mm/35 mm.
- Hex socket head cap screws for mounting are provided with all products.

● Application

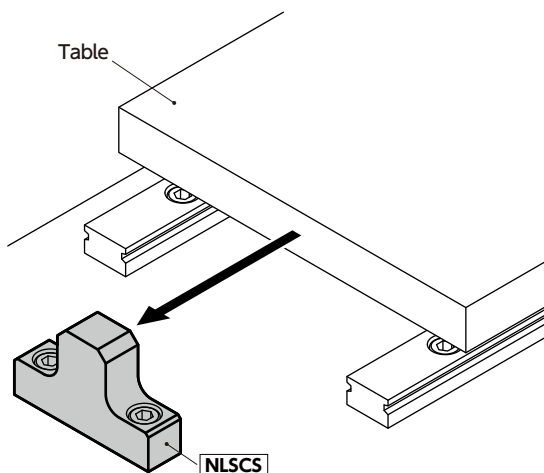
Table retention and fall prevention  
Stoppers for emergencies

Unit : mm

Part Number	W	H	B	E	F	P	T	D	Hex Socket Head Cap Screw	Mass (g)
NLSDS-01	32	30	18	12	12	16	25	5.5	M5×12	127.2
NLSDS-02	32	38	18	12	12	16	25	5.5	M5×12	150.5
NLSDS-03	32	45	18	12	12	16	25	5.5	M5×12	171.9
NLSDS-04	32	35	18	12	12	16	25	5.5	M5×12	140.6
NLSDS-05	32	40	23	12	12	18	32	6.6	M6×12	178.8
NLSDS-06	32	50	23	12	12	18	32	6.6	M6×12	204.2
NLSDS-07	38	57	28	16	16	20	38	9	M8×16	367.9
NLSDS-08	45	63	31	16	16	25	45	9	M8×16	512.9

● Usage Example

Example using **NLSCS**



● Part Number Specification

**NLSDS-03**



Cleanroom Wash & Packaging	Screw Combination	Screw Length Adjustment	Vibration Resistant	Laser Marking
Please feel free to contact us	Not Available	Not Available	Not Available	Available / Add'l charge