

\*: Check the H dimension based on the distance from the mounting surface to the top surface of the table and select accordingly.

### Material/Finish



	NLSD
Main Body	SS400 Ferrosoferric Oxide Film (Black)
Hex Socket Head Cap Screw	SCM435 Ferrosoferric Oxide Film (Black)

- Stoppers for linear guides.
- Supported rail sizes are 15 mm/20 mm/25 mm/30 mm/35 mm.
- Hex socket head cap screws for mounting are provided with all products.
- Application

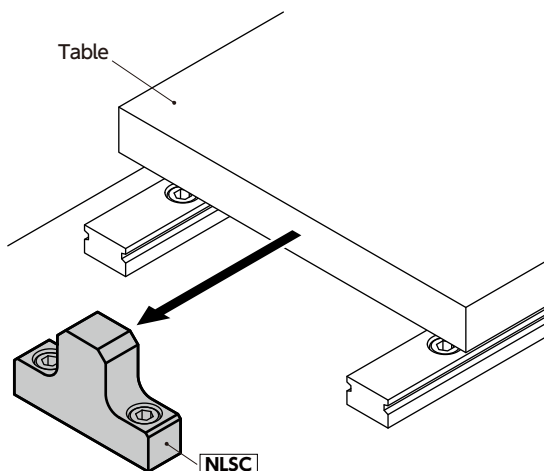
Table retention and fall prevention  
Stoppers for emergencies

Part Number	W	H	B	E	F	P	T	D	Hex Socket Head Cap Screw	Mass (g)
NLSD-01	32	30	18	12	12	16	25	5.5	M5×12	126.5
NLSD-02	32	38	18	12	12	16	25	5.5	M5×12	150.6
NLSD-03	32	45	18	12	12	16	25	5.5	M5×12	171.9
NLSD-04	32	35	18	12	12	16	25	5.5	M5×12	141.7
NLSD-05	32	40	23	12	12	18	32	6.6	M6×12	177.3
NLSD-06	32	50	23	12	12	18	32	6.6	M6×12	209.8
NLSD-07	38	57	28	16	16	20	38	9	M8×16	368.9
NLSD-08	45	63	31	16	16	25	45	9	M8×16	511.9

Unit : mm

### Usage Example

Example using **NLSC**



### Part Number Specification

**NLSD-03**



Cleanroom Wash & Packaging	Screw Combination	Screw Length Adjustment	Vibration Resistant	Laser Marking
Not Available	Not Available	Not Available	Not Available	Available / Add'l charge