

*: Check the H dimension based on the distance from the mounting surface to the top surface of the table and select accordingly.

● Material/Finish



NLSCS	
Main Body	SUS304
Hex Socket Head Cap Screw	SUSXM7

- Stoppers for linear guides.
- Made of stainless steel. Suitable for environments where corrosion resistance is required.
- Supported rail sizes are 15 mm/20 mm/25 mm/30 mm/35 mm.
- Hex socket head cap screws for mounting are provided with all products.

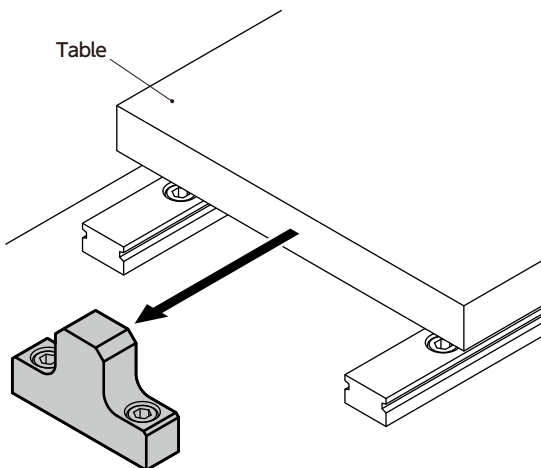
● Application

Table retention and fall prevention
Stoppers for emergencies

Unit : mm

Part Number	W	H	B	J	P	T	D	Hex Socket Head Cap Screw	Mass (g)
NLSCS-01	50	30	12	18	35	12	5.5	M5×16	86.7
NLSCS-02	50	38	12	18	35	12	5.5	M5×16	98.7
NLSCS-03	50	43	12	18	35	12	5.5	M5×16	108.5
NLSCS-04	50	45	12	20	35	12	5.5	M5×16	118
NLSCS-05	50	40	16	20	35	16	6.6	M6×20	158.2
NLSCS-06	50	51	16	20	35	16	6.6	M6×20	186.4
NLSCS-07	65	57	16	24	45	16	9	M8×20	250.4
NLSCS-08	65	63	16	24	45	16	9	M8×20	270.5

● Usage Example



● Part Number Specification

NLSCS-03



Cleanroom Wash & Packaging	Screw Combination	Screw Length Adjustment	Vibration Resistant	Laser Marking
Please feel free to contact us	Not Available	Not Available	Not Available	Available / Add'l charge