

*: Check the H dimension based on the distance from the mounting surface to the top surface of the table and select accordingly.

Material/Finish



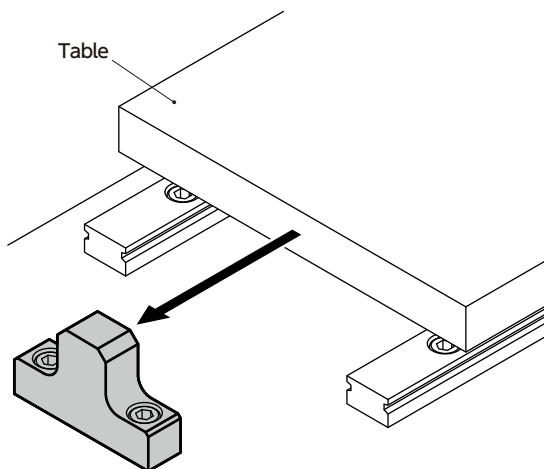
	NLSC
Main Body	SS400 Ferrosoferric Oxide Film (Black)
Hex Socket Head Cap Screw	SCM435 Ferrosoferric Oxide Film (Black)

- Stoppers for linear guides.
- Supported rail sizes are 15 mm/20 mm/25 mm/30 mm/35 mm.
- Hex socket head cap screws for mounting are provided with all products.
- Application

Table retention and fall prevention
Stoppers for emergencies

Part Number	W	H	B	J	P	T	D	Hex Socket Head Cap Screw	Unit : mm	
									Mass (g)	
NLSC-01	50	30	12	18	35	12	5.5	M5×16	87.6	
NLSC-02	50	38	12	18	35	12	5.5	M5×16	99.9	
NLSC-03	50	43	12	18	35	12	5.5	M5×16	108.1	
NLSC-04	50	45	12	20	35	12	5.5	M5×16	117.7	
NLSC-05	50	40	16	20	35	16	6.6	M6×20	159.2	
NLSC-06	50	51	16	20	35	16	6.6	M6×20	186.7	
NLSC-07	65	57	16	24	45	16	9	M8×20	251.7	
NLSC-08	65	63	16	24	45	16	9	M8×20	272.4	

Usage Example



Part Number Specification

NLSC-03



Cleanroom Wash & Packaging	Screw Combination	Screw Length Adjustment	Vibration Resistant	Laser Marking
Not Available	Not Available	Not Available	Not Available	Available / Add'l charge