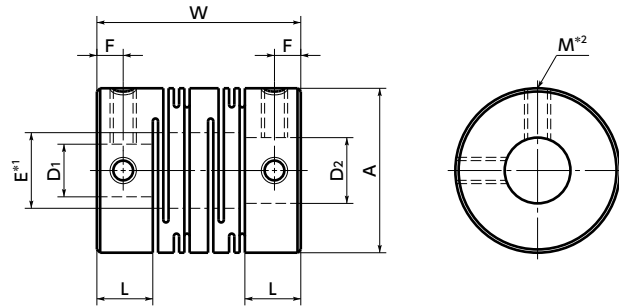


# MST/MSTS Flexible Couplings - Slit Type - Set Screw Type

Zero Backlash SUS Stainless steel

**MST** Made of aluminum alloy  
**MSTS** Made of all stainless steel



\*1 :  $E=D_2(D_2<6)$   
 $E=D_2+0.5(D_2\geq 6)$   
 \*2 : In a case where the bore diameter is  $\phi 4$  or less, the set screw is used in only one place.

## Dimensions

Unit : mm

Part Number	A	L	W	F	M	Screw Tightening Torque (N·m)
<b>MST-8</b>	8	3.5	14	1.7	M2	0.3
<b>MST-12</b>	12	5	18.5	2.5	M2.5	0.5
<b>MST-16</b>	16	6.5	23	3	M3	0.7
<b>MST-20</b>	20	7.5	26	3	M3	0.7
<b>MST-25</b>	25	8.5	31	4	M4	1.7
<b>MST-32</b>	32	12	41	6	M4	1.7
<b>MST-40</b>	40	17	56	8.5	M5	4
<b>MST-50</b>	50	21	71	10.5	M6	7
<b>MST-63</b>	63	26	90	13	M8	15
<b>MSTS-8</b>	8	3.5	14	1.7	M2	0.3
<b>MSTS-12</b>	12	5	18.5	2.5	M2.5	0.5
<b>MSTS-16</b>	16	6.5	23	3	M3	0.7
<b>MSTS-20</b>	20	7.5	26	3	M3	0.7
<b>MSTS-25</b>	25	8.5	31	4	M4	1.7
<b>MSTS-32</b>	32	12	41	6	M4	1.7
<b>MSTS-40</b>	40	17	56	8.5	M5	4
<b>MSTS-50</b>	50	21	71	10.5	M6	7
<b>MSTS-63</b>	63	26	90	13	M8	15

Part Number	Standard Bore Diameter (Dimensional Allowance H8) D1-D2								
<b>MST-8</b>	<b>MSTS-8</b>	2 - 2	2 - 3	3 - 3					
<b>MST-12</b>	<b>MSTS-12</b>	3 - 3	3 - 4	3 - 6*1	4 - 4	4 - 5	4.5 - 5	5 - 5	5 - 6
<b>MST-16</b>	<b>MSTS-16</b>	4 - 4 6 - 6.35	4 - 5 6 - 7	4 - 6 6 - 8	4.5 - 5 6.35 - 8	5 - 5	5 - 6	5 - 8	6 - 6
<b>MST-20</b>	<b>MSTS-20</b>	5 - 5 6.35 - 8	5 - 6 8 - 8	5 - 8 8 - 9.525*2	6 - 6 8 - 10	6 - 6.35 10 - 10	6 - 7	6 - 8	6 - 10
<b>MST-25</b>	<b>MSTS-25</b>	5 - 6 8 - 9.525*2	6 - 6 8 - 10	6 - 6.35 8 - 12	6 - 8 9.525 - 10	6 - 10 10 - 10	6.35 - 8 10 - 11*2	6.35 - 10 10 - 12	8 - 8 12 - 12
<b>MST-32</b>	<b>MSTS-32</b>	6 - 8 10 - 12	6.35 - 8 10 - 14	8 - 8 12 - 12	8 - 10 12 - 14	8 - 12 14 - 14	9.525 - 12 14 - 16	10 - 10	10 - 11
<b>MST-40</b>	<b>MSTS-40</b>	8 - 9.525	10 - 10	12 - 12	14 - 14	15 - 15	16 - 16	16 - 18*2	18 - 18
<b>MST-50</b>	<b>MSTS-50</b>	12 - 12	14 - 14	15 - 15	16 - 18				
<b>MST-63</b>	<b>MSTS-63</b>	14 - 14							

\*1 : Only **MST-\*\*** is a standard product. For **MSTS-\*\***, use the additional modification service **BT**.

\*2 : Only **MSTS-\*\*** is a standard product. For **MST-\*\***, use the additional modification service **BT**.

- All products are provided with hex socket set screws.
- Recommended tolerance for shaft diameters is h6 and h7.
- For the shaft insertion amount to the coupling, see Mounting/maintenance.

Additional Keyway at Shaft Hole → P.xxxx Cleanroom Wash & Packaging → P.xxxx Change to Stainless Steel Screw → P.xxxx  
 Bore additional modification only/ Add'l charge Please feel free to contact us Please feel free to contact us

## Performance

Part Number	Max. Bore Diameter (mm)	Rated *1 Torque (N·m)	Max. Rotational Frequency (min <sup>-1</sup> )	Moment *2 of Inertia (kg·m <sup>2</sup> )	Static Torsional Stiffness (N·m/rad)	Max. Lateral Misalignment (mm)	Max. Angular Misalignment (°)	Max. Axial Misalignment (mm)	Mass *2 (g)
<b>MST-8</b>	4	0.1	78000	1.2×10 <sup>-8</sup>	25	0.1	2	±0.2	1.4
<b>MST-12</b>	6	0.4	52000	8.3×10 <sup>-8</sup>	45	0.1	2	±0.3	3.7
<b>MST-16</b>	8	0.5	39000	3.3×10 <sup>-7</sup>	80	0.1	2	±0.4	8.1
<b>MST-20</b>	10	1	31000	9.0×10 <sup>-7</sup>	170	0.1	2	±0.4	14
<b>MST-25</b>	12	2	25000	2.6×10 <sup>-6</sup>	380	0.15	2	±0.5	27
<b>MST-32</b>	16	4	19000	9.6×10 <sup>-6</sup>	500	0.15	2	±0.5	60
<b>MST-40</b>	20	8	15000	3.2×10 <sup>-5</sup>	700	0.2	2	±0.5	130
<b>MST-50</b>	25	16	12000	1.0×10 <sup>-4</sup>	1800	0.2	2	±0.5	260
<b>MST-63</b>	35	32	10000	3.2×10 <sup>-4</sup>	3100	0.2	2	±0.5	490
<b>MSTS-8</b>	4	0.2	78000	3.1×10 <sup>-8</sup>	50	0.1	2	±0.2	3
<b>MSTS-12</b>	6	0.3	52000	2.1×10 <sup>-7</sup>	64	0.1	2	±0.3	9.3
<b>MSTS-16</b>	8	0.5	39000	8.4×10 <sup>-7</sup>	85	0.1	2	±0.3	21
<b>MSTS-20</b>	10	1	31000	2.4×10 <sup>-6</sup>	250	0.1	2	±0.3	38
<b>MSTS-25</b>	12	2	25000	6.8×10 <sup>-6</sup>	330	0.15	2	±0.4	71
<b>MSTS-32</b>	16	3.5	19000	2.6×10 <sup>-5</sup>	850	0.15	2	±0.5	160
<b>MSTS-40</b>	20	8	15000	8.7×10 <sup>-5</sup>	1000	0.2	2	±0.5	350
<b>MSTS-50</b>	25	15	12000	2.7×10 <sup>-4</sup>	1400	0.2	2	±0.5	700
<b>MSTS-63</b>	35	35	10000	8.4×10 <sup>-4</sup>	1800	0.2	2	±0.5	1300

\*1 : Correction of rated torque due to load fluctuation is not required.

\*2 : These are values with max. bore diameter.

• Part number specification

**MSTS-25-9.525-10**

