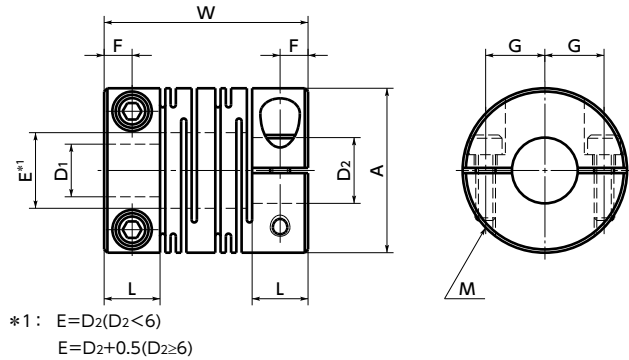


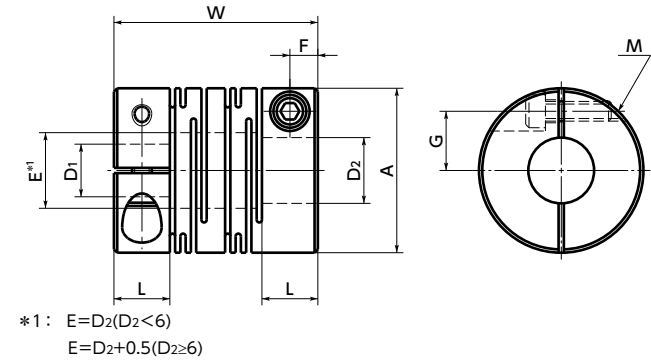
MST-C/MSTS-C Flexible Couplings - Slit Type - Clamping Type

WEB Selection Tool | WEB CAD Download | 0 Zero Backlash | SUS Stainless steel

MST-C Made of aluminum alloy
MSTS-C Made of all stainless steel
 Outside diameter $\phi 40 - \phi 63$



MSTS-C Made of all stainless steel
 Outside diameter $\phi 12 - \phi 32$



Dimensions

Unit : mm

| Part Number | A | L | W | F | G | M | Screw Tightening Torque (N·m) |
|-------------|----|-----|------|------|-----|------|-------------------------------|
| MST-12C | 12 | 5 | 18.5 | 2.5 | 4 | M2 | 0.5 |
| MST-16C | 16 | 6.5 | 23 | 3.25 | 5 | M2.5 | 1 |
| MST-20C | 20 | 7.5 | 26 | 3.75 | 6.5 | M2.5 | 1 |
| MST-25C | 25 | 8.5 | 31 | 4.25 | 9 | M3 | 1.5 |
| MST-32C | 32 | 12 | 41 | 6 | 11 | M4 | 2.5 |
| MST-40C | 40 | 17 | 56 | 8.5 | 14 | M5 | 4 |
| MST-50C | 50 | 21 | 71 | 10.5 | 18 | M6 | 8 |
| MST-63C | 63 | 26 | 90 | 13 | 24 | M8 | 16 |
| MSTS-12C | 12 | 5 | 18.5 | 2.5 | 4 | M2 | 0.5 |
| MSTS-16C | 16 | 6.5 | 23 | 3.25 | 5 | M2.5 | 1 |
| MSTS-20C | 20 | 7.5 | 26 | 3.75 | 6.5 | M2.5 | 1 |
| MSTS-25C | 25 | 8.5 | 31 | 4.25 | 9 | M3 | 1.5 |
| MSTS-32C | 32 | 12 | 41 | 6 | 11 | M4 | 2.5 |
| MSTS-40C | 40 | 17 | 56 | 8.5 | 14 | M5 | 4 |
| MSTS-50C | 50 | 21 | 71 | 10.5 | 18 | M6 | 8 |
| MSTS-63C | 63 | 26 | 90 | 13 | 24 | M8 | 16 |

| Part Number | Standard Bore Diameter D1-D2 | | | | | | | | |
|-------------|------------------------------|--------------------|----------------------|------------------------|-------------------|------------|------------|-----------|---------|
| MST-12C | MSTS-12C | 4 - 4 | 4 - 5 | 4.5 - 5 | 5 - 5 | | | | |
| MST-16C | MSTS-16C | 4.5 - 5 | 4.5 - 6 | 5 - 5 | 5 - 6 | 6 - 6 | | | |
| MST-20C | MSTS-20C | 5 - 6 6.35 - 8 | 5 - 6.35 8 - 8 | 5 - 7 | 5 - 8 | 6 - 6 | 6 - 6.35 | 6 - 7 | 6 - 8 |
| MST-25C | MSTS-25C | 5 - 6 8 - 9.525 | 6 - 6 8 - 10 | 6 - 6.35 9.525 - 10 | 6 - 8 10 - 10 | 6 - 10 | 6.35 - 8 | 6.35 - 10 | 8 - 8 |
| MST-32C | MSTS-32C | 8 - 8 10 - 12 | 8 - 9.525 10 - 14 | 8 - 10 12 - 12 | 8 - 12 12 - 14 | 9.525 - 10 | 9.525 - 12 | 10 - 10 | 10 - 11 |
| MST-40C | MSTS-40C | 8 - 8 15 - 16 | 8 - 10 16 - 16 | 10 - 10 | 12 - 12 | 12 - 14 | 14 - 14 | 14 - 16 | 15 - 15 |
| MST-50C | MSTS-50C | 12 - 14 | 14 - 14 | 15 - 15 | 16 - 16 | 18 - 18 | | | |
| MST-63C | MSTS-63C | 14 - 14 | 16 - 16 | 18 - 18 | | | | | |

- All products are provided with hex socket head cap screw.
- Recommended tolerance for shaft diameters is h6 and h7.
- **MST-C** has variable slit shapes depending on the size. See the Slit Details.

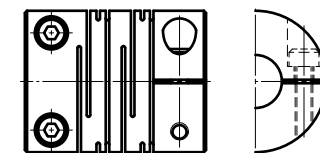
Performance

| Part Number | Max. Bore Diameter (mm) | Rated Torque *1 (N·m) | Max. Rotational Frequency (min ⁻¹) | Moment *2 of Inertia (kg·m ²) | Static Torsional Stiffness (N·m/rad) | Max. Lateral Misalignment (mm) | Max. Angular Misalignment (°) | Max. Axial Misalignment (mm) | Mass *2 (g) |
|-------------|-------------------------|-----------------------|--|---|--------------------------------------|--------------------------------|-------------------------------|------------------------------|-------------|
| MST-12C | 5 | 0.4 | 52000 | 7.8×10^{-8} | 45 | 0.1 | 2 | ±0.3 | 3.6 |
| MST-16C | 6 | 0.5 | 39000 | 3.4×10^{-7} | 80 | 0.1 | 2 | ±0.4 | 9.2 |
| MST-20C | 8 | 1 | 31000 | 9.1×10^{-7} | 170 | 0.1 | 2 | ±0.4 | 16 |
| MST-25C | 10 | 2 | 25000 | 2.6×10^{-6} | 380 | 0.15 | 2 | ±0.5 | 28 |
| MST-32C | 14 | 4 | 19000 | 9.7×10^{-6} | 500 | 0.15 | 2 | ±0.5 | 64 |
| MST-40C | 18 | 8 | 15000 | 3.3×10^{-5} | 700 | 0.2 | 2 | ±0.5 | 140 |
| MST-50C | 22 | 16 | 12000 | 1.0×10^{-4} | 1800 | 0.2 | 2 | ±0.5 | 270 |
| MST-63C | 30 | 32 | 10000 | 3.2×10^{-4} | 3100 | 0.2 | 2 | ±0.5 | 530 |
| MSTS-12C | 5 | 0.3 | 52000 | 2.2×10^{-7} | 64 | 0.1 | 2 | ±0.2 | 10 |
| MSTS-16C | 6 | 0.5 | 39000 | 9.0×10^{-7} | 85 | 0.1 | 2 | ±0.3 | 25 |
| MSTS-20C | 8 | 1 | 31000 | 2.5×10^{-6} | 250 | 0.1 | 2 | ±0.3 | 43 |
| MSTS-25C | 10 | 2 | 25000 | 7.1×10^{-6} | 330 | 0.15 | 2 | ±0.4 | 78 |
| MSTS-32C | 14 | 3.5 | 19000 | 2.7×10^{-5} | 850 | 0.15 | 2 | ±0.5 | 170 |
| MSTS-40C | 18 | 8 | 15000 | 9.0×10^{-5} | 1000 | 0.2 | 2 | ±0.5 | 370 |
| MSTS-50C | 22 | 15 | 12000 | 2.8×10^{-4} | 1400 | 0.2 | 2 | ±0.5 | 750 |
| MSTS-63C | 30 | 35 | 10000 | 8.8×10^{-4} | 1800 | 0.2 | 2 | ±0.5 | 1400 |

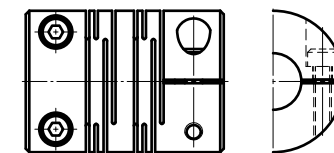
- *1: Correction of rated torque due to load fluctuation is not required.
 ※ The shaft's slip torque may be smaller than the coupling's rated torque depending on the shaft bore. → P.xxxx
- *2: These are values with max. bore diameter.

Slit Details

MST-C



Outside diameter $\phi 12 - \phi 32$



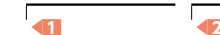
Outside diameter $\phi 40 - \phi 63$

Precautions for Use

- In case of mounting on D-cut shaft, be careful about the position of the D-cut surface of the shaft. → P.xxxx
- There are sizes where the hex socket head bolt exceeds the outer diameter of the coupling and the rotating diameter is larger than the outer diameter. Please be careful of the interference of coupling. → P.xxxx

Part number specification

MST-40C-12-14



Additional Keyway at Shaft Hole → P.xxxx | Cleanroom Wash & Packaging → P.xxxx | Change to Stainless Steel Screw → P.xxxx
 Bore additional modification only/ Add'l charge Please feel free to contact us | Please feel free to contact us