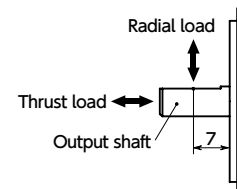


● Performance

Power Source Voltage		DC24V ± 10%
Current Consumption	Waiting	20mA
	Rated	0.65A
	Max.	1A
Rated Output		4.98W
Rated Rotational Frequency		62 ± 10rpm
Rated Torque		0.765N·m *1
Output Shaft	Radial Load	29.4N*2
	Max. Allowable Load Thrust Load	24.5N*2
Stop Accuracy		±5° *3
Input	Wireless Communication	2.4GHz Band Wireless Communication
	Wired Communication	RS-232C (3-wire type)
	Input Circuit	2ch*4
Wireless Reach Distance (Reference Value)	Indoors	60m
	Outdoors	1200m
Operating Environment	Temperature	-5°C to 55°C (no freezing)
	Humidity	20% RH to 85% RH (no condensation)

*1: When attaching the lock adapter [EPL], the [EPL] output torque is 0.715N·m.

*2: Output shaft max. allowable load

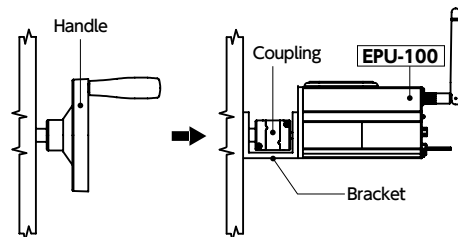


*3: When attaching the lock adapter [EPL], about 10° of backlash is generated.

*4: For limit sensor connection.

Part Number	Mass (g)
EPU-100-W5-R60	520

- These units automate positioning mechanisms with a feed screw. By replacing the feed screw operating handle with [EPU-100], device positioning mechanisms can be automated.
- Through the use of the dedicated transceivers [EPC-100] (→ P.xxxx) or [EPC-200-CC] (→ P.xxxx) [EPC-210-EIP] (→ P.xxxx), wireless batch operation of up to 32 Wireless Positioning Units is possible. Signal wiring from the operating terminal is not required. Ideal for devices and equipment with multiple positioning locations, like packaging machines and carton formers.
- Controller is built in. Extra space for amps, controllers and other equipment in addition to the main unit is not required.
- With the use of an external interface connector, wired communication is possible as well as the connection of a movable range control limit sensor or a forced travel switch for abnormalities.
- For configuration and control of [EPU-100], the dedicated software [EPU-COM] is required. The dedicated software is available free of charge. Please download from the NBK website.
- Combining with the dedicated lock adapter [EPL] enables position retention (locking).
- Image of Replacement from Handle



● Material/Finish

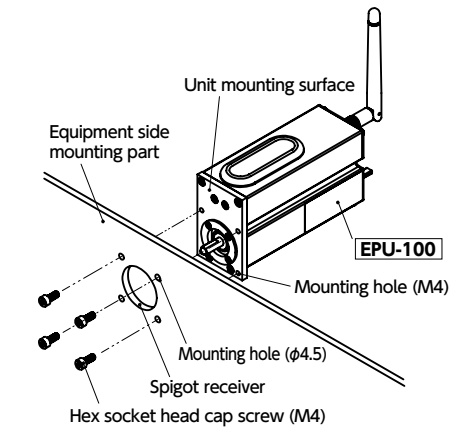
	EPU-100
Main Body	A6063S Anodized (Black)
Flange	A6063S Anodized
Back Panel	SPCC Electrostatic Coating (Matte Black)
Output Shaft	Equivalent to SUM43
Rubber Cover	EPDM
Power Cable	Heat-Resistant Vinyl Flat Cord

● Does not contain any of the 10 chemicals restricted under the RoHS Directives.

● Mounting

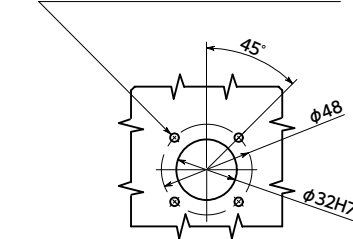
Use the spigot joint to position the Wireless Positioning Unit [EPU-100] on the equipment, and fix with hex socket head cap screws to eliminate any clearance between [EPU-100] and the equipment.
*Hex socket head cap screws are not provided.

When fixing from equipment side



Equipment side mounting part recommended machining dimensions

When fixing from equipment side: 4-φ4.5
When fixing from [EPU-100] side: 4-M3

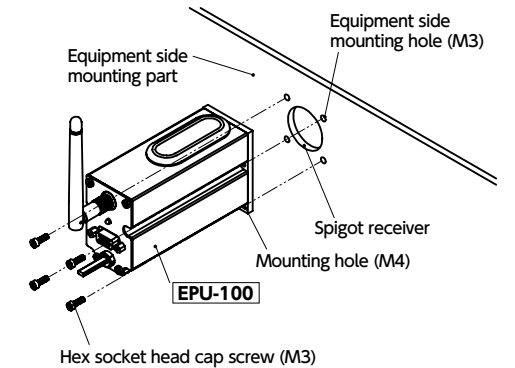


⚠ Precautions for Use

Be sure to read the Instruction Manual before use to ensure safe and correct usage.

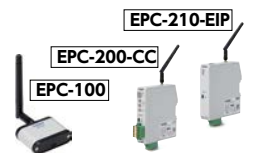


When fixing from [EPU-100] side



● Related Products

Dedicated transceivers are available.
For PC control [EPC-100]
For PLC control [EPC-200-CC], [EPC-210-EIP]



Position retention lock adapters [EPL] can be used in combination with [EPU-100].



● Part number specification

EPU-100-W5-R60



Available Area : Japan, the US, Canada, China