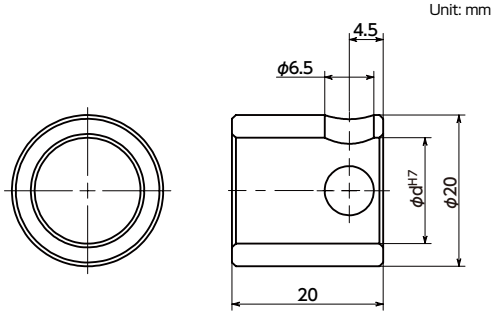


SUS Stainless steel



● Material/Finish



	EOTCL-200
Main Body	SUS304
Hex Socket Set Screw	SUSXM7

- A dedicated collar for use with the high torque adapter **EOAT-200** (→ P.xxxx).
- The high torque adapter bore diameter can be changed to match the rotation shaft.
- Made of stainless steel superior in corrosion resistance.
- Hex socket set screws (M6 × 2) are provided.

Part Number ◀1	d ◀2					Mass (g)
	10	12	14	15	16	
EOTCL-200						17 - 35

Unit : mm



Precautions for Use

For mounting methods, refer to the Instruction Manual for **EPU-210** (→ P.xxxx) and **EPU-220** (→ P.xxxx).

- Part number specification

EOTCL-200-14

◀1

◀2

◀2 Applicable rotation axis diameter should be selected from the sizes listed in the dimension table.

Available Area : Japan, the US, Canada, Mexico, China, Taiwan, South Korea, and Europe