

● Material/Finish



	EOCL-200
Main Body	SUS304
Hex Socket Set Screw	SUSXM7

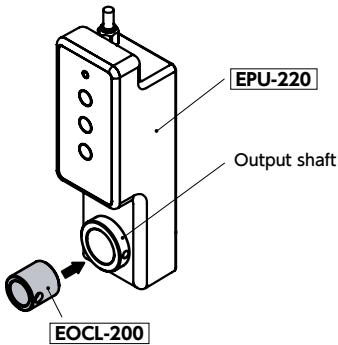
- Collar for **EPU-210** (→ P.xxxx) **EPU-220** (→ P.xxxx).
- **EPU-210** and **EPU-220** bore diameter can be changed to match the rotation axis.
- Made of stainless steel superior in corrosion resistance.
- All products are provided with hex socket set screws.

Part Number 1	d 2							Mass (g)
	6	8	10	12	14	15	16	
EOCL-200								19 - 46

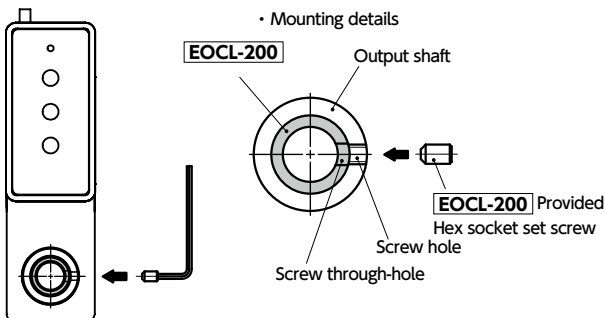
Unit : mm

● Mounting

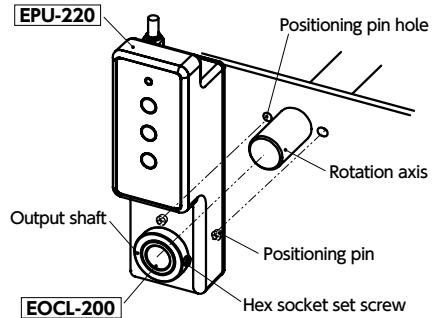
① Insert **EOCL-200** onto the **EPU-210** **EPU-220** output shaft.



② Align the **EPU-210** **EPU-220** output shaft screw hole with the **EOCL-200** screw through-hole, then screw the hex socket set screw supplied with **EOCL-200**.



③ With **EOCL-200** mounted, pass the rotation axis over the **EPU-210** **EPU-220** output shaft and secure with a hex socket set screw. (Recommended tightening torque: 2.8 N·m)



⚠ Precautions for Use

When using **EOCL-200**, use the hex socket set screws provided with **EOCL-200**. The length of the screws provided with **EPU-210** **EPU-220** may not be sufficient to adequately secure the output shaft.

● Part number specification

EOCL-200-14

1 **2**

2 Applicable rotation axis diameter should be selected from the sizes listed in the dimension table.

Available Area : Japan, the US, Canada, Mexico, China, Taiwan, South Korea, and Europe