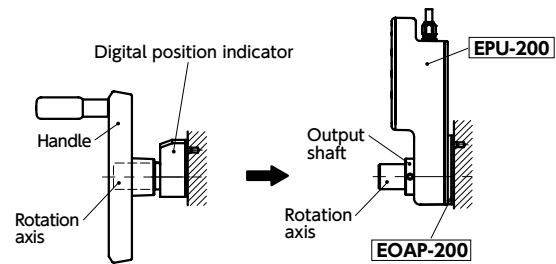


● Material/Finish



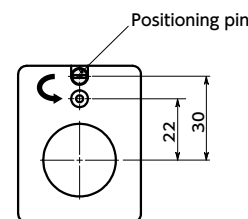
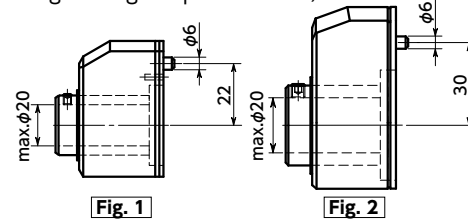
| EOAP-200 | |
|----------------------|------------------------------------|
| Plate | Aluminum Alloy Barrel Polishing |
| Positioning Pin | Aluminum Alloy |
| Cushioning Foam | Polyethylene |
| Part Number 1 | Mass (g) |
| EOAP-200 | 16 |

- Dedicated adapter plates for Wireless Positioning Units **EPU-200** (→ P.xxxx).
- When replacing the digital position indicator and the handle attached to a machine with a Wireless Positioning Unit, use the positioning pin of the machine for the digital position indicator as-is to mount the Wireless Positioning Unit.



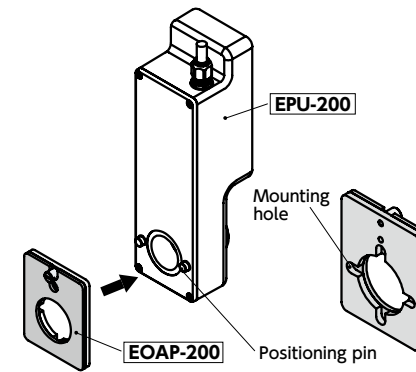
⚠ Precautions for Use

EOAP-200 is used when replacing digital position indicators with sizes as per **Fig. 1** or **Fig. 2**. When shipped, the position of the **EOAP-200** positioning pin is matched for sizes of **Fig. 2**. When replacing digital position indicators with sizes as per **Fig. 1**, rotate the positioning pin anti-clockwise with a flathead screwdriver and remove it, then change its position. (Recommended tightening torque: 0.3 N·m)

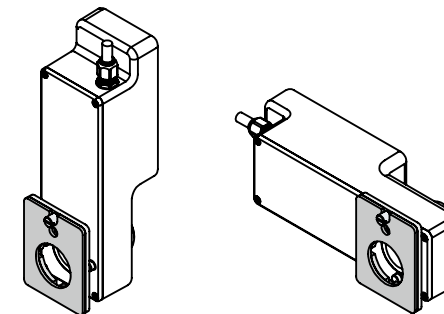


● Mounting

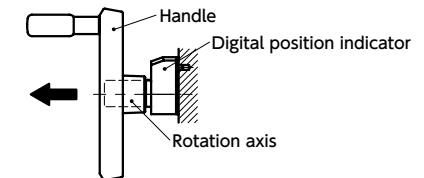
- ① Mount by aligning the **EPU-200** positioning pins and the **EOAP-200** mounting holes.



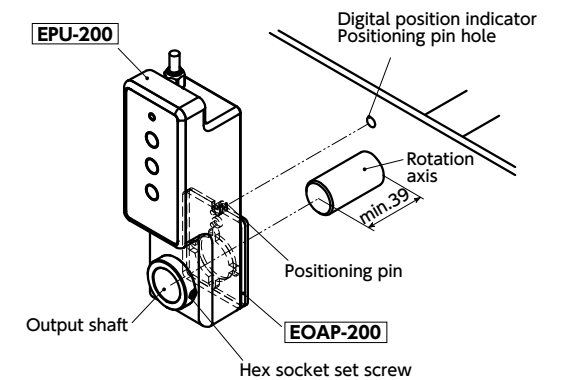
Can be mounted in each 90° orientation. Mount in a position such that **EPU-200** does not interfere with machinery.



- ② Remove the digital position indicator and handle from the rotation axis.



- ③ With **EOAP-200** mounted to **EPU-200**, put the rotation axis through the output shaft and secure with the hex socket set screws supplied with **EPU-200**. (Recommended tightening torque: 2.8 N·m)



● Part number specification

EOAP-200



EOAP-200 is sold only in the following countries and regions. USA, Canada, Korea, Taiwan