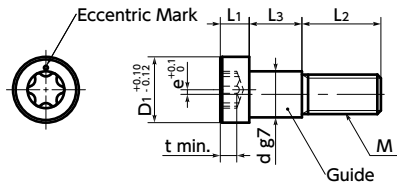
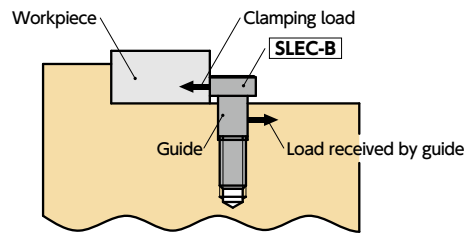


SLEC-B-EL Clamping Screws (Guide type/Electroless nickel plating)



- Since the precision - processed guide receives the clamping load, durability during clamping is increased.



• Material/Finish

	SLEC-B-EL
Main Body	SCM435 Electroless Nickel Plating
Strength Class	10.9



• Related Products

SKX Hexalobular Wrench



SKX-N Hexalobular Wrench for Extremely Limited Access Spaces



- When the screw is tightened, the workpiece is strongly clamped by the head, which is decentered from the shaft center of the screw. The wedge effect creates a large clamping force with low tightening torque.
- The hexalobular*1 shape can withstand high tightening torque.
 - ➔ P.xxxx
- Use a dedicated wrench **SKX** for mounting and removing.
- Use the **SKX-N** hexalobular wrench for extremely limited access spaces for mounting and removing in tight spaces.
- Suitable for fixing linear guideway rails. As the decentered head presses the linear guideway rail against the installation reference surface, precision can be easily achieved when mounting. Also, mounting accuracy is maintained by suppressing warping and misalignment caused by long-term use.

- **SLEC-B-EL** is an electroless nickel plating type. For applications that require corrosion resistance.
- *1: The hexalobular shape is prescribed by JIS B 1015: 2008(ISO 10664: 2005)"Hexalobular internal driving feature for bolts and screws".

• Application

Fixing linear guideway rails / Fixing workpieces and jigs / Fine positional adjustment of heavy objects

Unit : mm

Part Number	M(Coarse)		D1	L1	L2	d	L3	e	Applicable wrench	Hexalobular Scket No.	t	Mass (g)
	Nominal of Thread	Pitch										
SLEC-M3-B-EL	M3	0.5	6.8	2.5	6	3.35 ^{+0.008} / _{-0.016}	4	0.4	SKX-10	10	1	0.82
SLEC-M4-B-EL	M4	0.7	7	3	7	4.5 ^{+0.008} / _{-0.016}	5	0.4	SKX-15	15	1.2	1.9
SLEC-M5-B-EL	M5	0.8	8.5	4	10	5.5 ^{+0.008} / _{-0.016}	6	0.4	SKX-20	20	1.5	3.3
SLEC-M6-B-EL	M6	1	10	4	12	6.5 ^{+0.007} / _{-0.020}	8	0.5	SKX-25	25	2	6
SLEC-M8-B-EL	M8	1.25	13	5	16	8.5 ^{+0.007} / _{-0.020}	9	0.8	SKX-30	30	2.5	14.3

• Part number specification

SLEC-M6-B-EL



• Installation Dimensions

Part Number	E	M	B H8	Adjustment Range		s max.
				min.	max.	
SLEC-M3-B-EL	3.1 ^{+0.3} / ₀	M3	3.35	-0.1	/ 0.7	3.3
SLEC-M4-B-EL	3.15 ^{+0.3} / ₀	M4	4.5	-0.05	/ 0.75	4.1
SLEC-M5-B-EL	3.9 ^{+0.3} / ₀	M5	5.5	-0.05	/ 0.75	5.3
SLEC-M6-B-EL	4.65 ^{+0.3} / ₀	M6	6.5	-0.15	/ 0.85	5.5
SLEC-M8-B-EL	6.05 ^{+0.5} / ₀	M8	8.5	-0.35	/ 1.25	7

Unit : mm

• Installation Method

- 1 Screw the clamping screws with eccentric head into the screw holes until the head bearing surface lightly touches the surface **Diagram 1**. At this time, the positions of the eccentric marks do not have to be aligned.
- 2 Loosen the clamping screws with eccentric head so that the eccentric marks reach the position in **Diagram 2**.
- 3 Loosen the clamping screws with eccentric head further so that the eccentric marks reach the position in **Diagram 3**.

Diagram 1

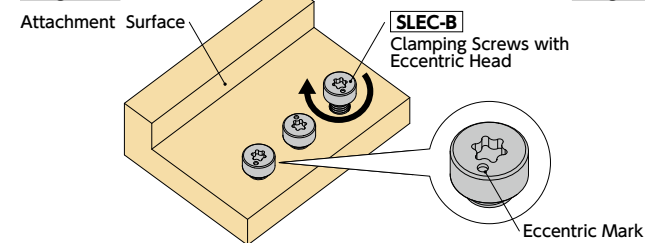


Diagram 2

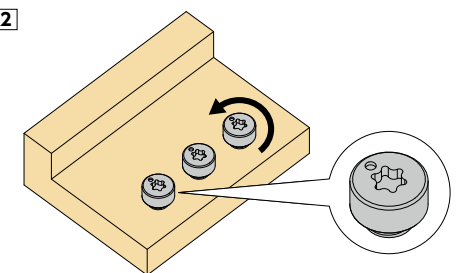


Diagram 3

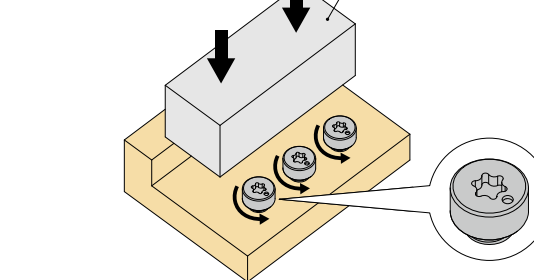
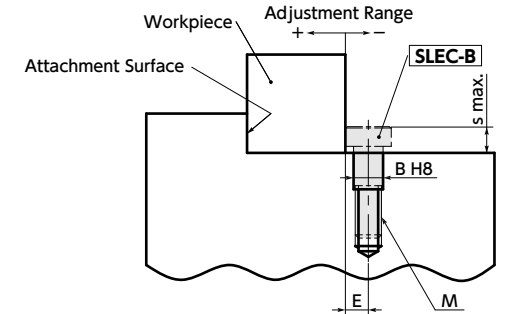
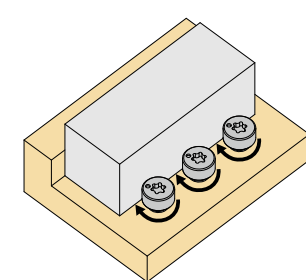


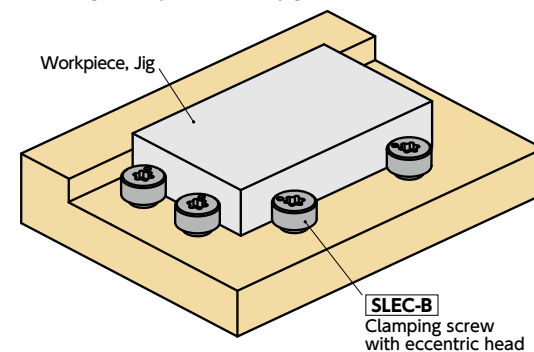
Diagram 4



- 4 With the eccentric marks at the position in the **Diagram 3**, insert the workpiece you wish to secure between the clamping screws with eccentric head and the attachment surface.
- 5 Tighten the clamping screws with eccentric head by clockwise turn. The heads press the workpiece into the attachment surface and secure the workpiece **Diagram 4**.

• Usage example

Fixing workpieces and jigs.



• Recommended size of linear guideway rail

Unit : mm

Nominal of Rail	Rail Width W	Applicable Clamping Screws with Eccentric Head	
#9	9	SLEC-M3-B	SLEC-M4-B
#12	12	SLEC-M3-B	SLEC-M4-B
#15	15	SLEC-M3-B	SLEC-M4-B
#20	20	SLEC-M4-B	SLEC-M5-B
#25	23	SLEC-M5-B	SLEC-M6-B
#30	28	SLEC-M6-B	SLEC-M8-B
#35	34	SLEC-M8-B	

- If the eccentric clamping bolt may interfere with the carriage, etc., avoid interference by lowering its mounting surface.
- When using in a linear guideway, press at the position of the linear guideway's bolts.

Individual Sales ➔ P.xxxx	Cleanroom Wash & Packaging ➔ P.xxxx	Screw Length Adjustment ➔ P.xxxx	Vibration Resistant ➔ P.xxxx	Modification process for captive use ➔ P.xxxx
1 piece in 1 pack	Available / Add'l charge	Not Available	Not Available	Not Available