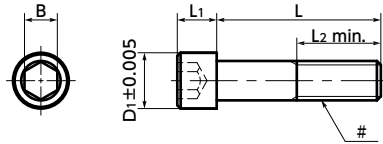


SNSS-SD(INCH) Hex Socket Head Cap Screws with Small Head - Inch Thread

SUS Stainless steel Protrusion



● Material/Finish



	SNSS-SD(INCH)
Main Body	Equivalent to SUS304
Strength Class	A2-50

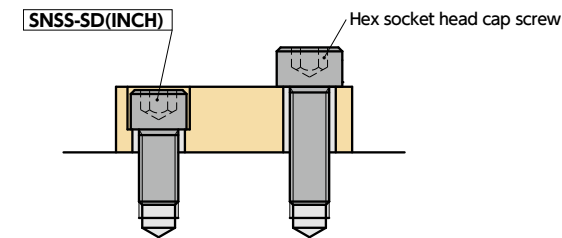
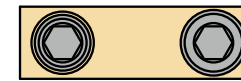
● Application

Reducing the size of equipment and devices which use inch threads

- Hex socket head cap screws with small head diameter. Able to reduce the spot facing diameters compared to standard hex socket head cap screws.
- Inch screw type.
- Install and remove by using **SKH(INCH)** (⇒ P.xxxx) Dedicated Hex Key.

● Usage example

It is possible to perform spot facing and hide the head in locations where spot facing is not possible with standard hex socket head cap screws.



⚠ Precautions for Use

- Since the head bearing surface area is small, the bearing surface pressure increases.
- Using the following formula as a reference, ensure that the bearing surface pressure due to screw tightening does not exceed the permitted surface pressure of the intended fastening material.

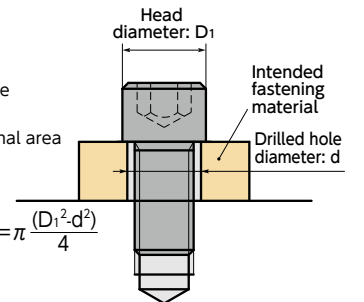
$$P = \sigma \frac{As}{A}$$

P: Bearing surface pressure

σ: Bolt stress

As: Screw effective sectional area

A: Bearing surface area



$$\text{Bearing surface area } A = \pi \frac{(D_1^2 - d^2)}{4}$$

D₁: Head diameter

d: Drilled hole diameter

● Screw Effective Sectional Area

Part Number	Screw Effective Sectional Area (in ²)	Screw Effective Sectional Area (mm ²)
SNSS-#4-40-SD	0.0061	3.95
SNSS-#6-32-SD	0.0092	5.95
SNSS-#8-32-SD	0.014	9.15
SNSS-#10-24-SD	0.018	11.5
SNSS-#10-32-SD	0.02	13
SNSS-1 / 4-20-SD	0.032	20.8
SNSS-5 / 16-18-SD	0.053	34.2

Unit : inch

Part Number	#Nominal of Thread	L	D ₁	L ₁	B	L ₂ *1	Mass (g)	Qty per Pack
SNSS-#4-40-SD	No.4-40UNC	3 / 16	0.161	0.112	3 / 32	Full Thread	0.48 - 0.84	10
SNSS-#6-32-SD	No.6-32UNC	1 / 4	0.205	0.138	7 / 64	0.75(L≥7 / 8)	0.73 - 1.4	10
SNSS-#8-32-SD	No.8-32UNC	1 / 4	0.226	0.164	9 / 64	0.88(L=1)	0.98 - 2.3	10
SNSS-#10-24-SD	No.10-24UNC	1 / 4	0.270	0.190	5 / 32	0.88(L=1)	1.6 - 3.3	10
SNSS-#10-32-SD	No.10-32UNF	1 / 4	0.270	0.190	5 / 32	0.88(L=1)	1.1 - 3.9	10
SNSS-1 / 4-20-SD	1/4-20UNC	1 / 4	0.335	0.250	3 / 16	1(L=1 - 1/4)	3.1 - 7.1	10
SNSS-5 / 16-18-SD	5/16-18UNC	1 / 2	0.420	0.312	1 / 4	1.12(L=1 - 1/4)	7.6 - 12	10

*1 : If the "L" value is other than the value in parentheses, the screw is full thread.

● When purchasing less volume than one full bag, a separate handling fee is charged. For details, see the Sold Separately Service.

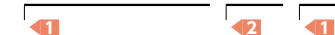
● Related Products

Hex keys dedicated for inch threads **SKH(INCH)** are available.



● Part number specification

SNSS-#4-40-1/4-SD



Individual Sales → P.xxxx	Cleanroom Wash & Packaging → P.xxxx	Screw Length Adjustment → P.xxxx	Vibration Resistant → P.xxxx	Modification process for captive use → P.xxxx
Available / Add'l charge	Available / Add'l charge	Available / Add'l charge	Available / Add'l charge	Available / Add'l charge