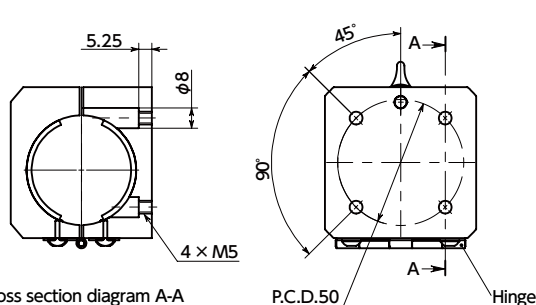


# DPB For Round Pipe Bracket

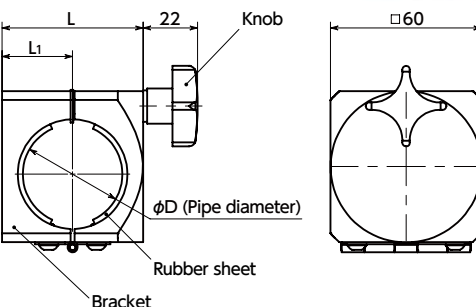


Cross section diagram A-A

## Material/Finish



	DPB
Bracket	A6063 Anodized
Knob	Nylon 6 (Matte Black)
Rubber Sheet	NR (Natural Rubber)
Hinge	SUS304



- This part is for fixing the workpiece to a round pipe.



- Angle hinge **DFS-H** (→ P.xxxx) **DFSN-H** (→ P.xxxx) **DKBR-H** (→ P.xxxx) have compatible mounting dimensions. You can freely combine them for use.

## Application

Machine tool / Medical equipment / FPD production device / Semiconductor manufacturing device / Packing machine / Food machinery

## Mounting

If using screws to mount a workpiece from the spot facing side, turn the rubber sheet slightly, and insert a hex head cap bolt (M4).

Unit : mm

Part Number	D	L	L <sub>1</sub>	Max. Load Weight (kg)	Mass (g)
<b>DPB-60-28</b>	28	48	24	10	340
<b>DPB-60-30</b>	30	48	24	10	340
<b>DPB-60-34</b>	34	48	24	10	310
<b>DPB-60-40</b>	40	56	28	10	330
<b>DPB-60-42.7</b>	42.7	56	28	10	300

- Fixing rubber sheet is attached.

## Related Products

Angle hinge that can be used in assembly is available.

Clamp Lever Retention Type

**DFS-H** → P.xxxx

Hex Nut Retention Type

**DFSN-H** → P.xxxx

Rotation Restriction Type

**DKBR-H** → P.xxxx



- Part number specification

**DPB-60-30**

