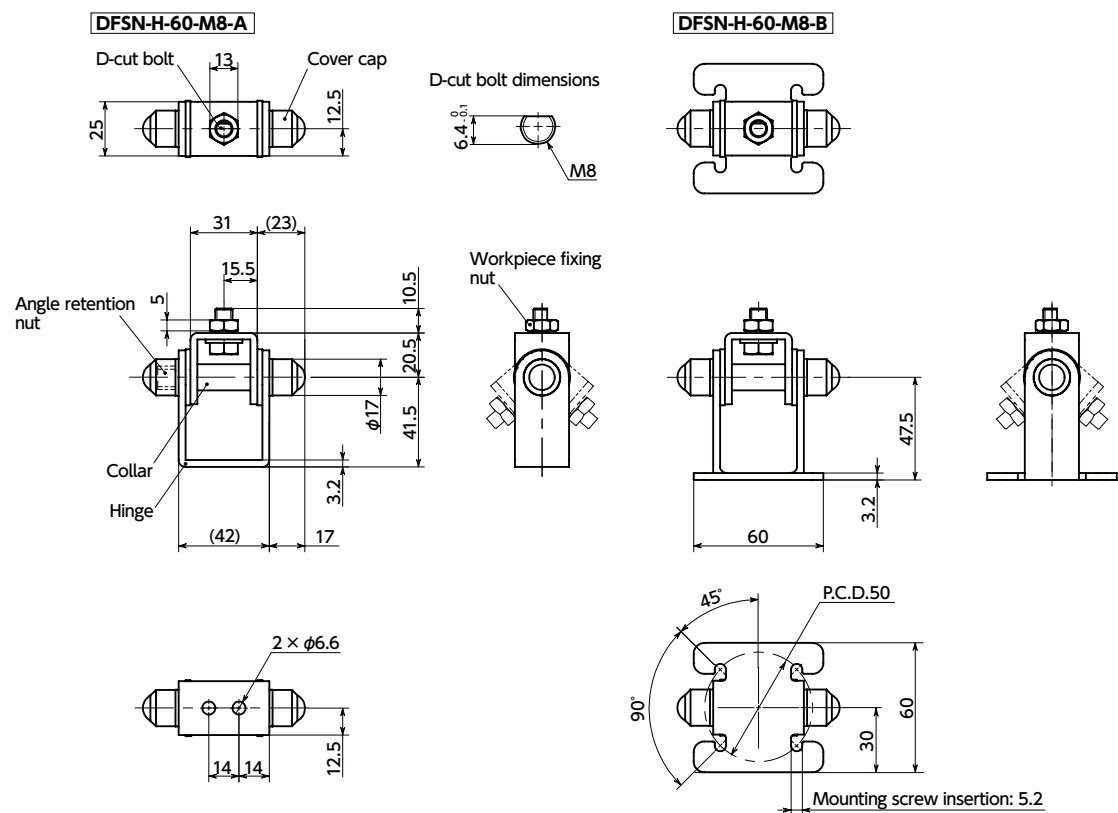


DFSN-H Angle Hinge - Hex Nut Retention

□ wall/panel Mount



Material/Finish



	DFSN-H
Hinge	SPCC Electrostatic Coating (black)
Angle Retention Nut	S45C Trivalent Chromate Treatment
D-cut Bolt	SUS304
Workpiece Fixing Nut	SUS304
Cover Cap	Polyethylene (Black)
Collar	SPCC Trivalent Chromate Treatment

Part Number	Nominal of Mounting Thread*1	Max. Load Weight (kg)	Mass (g)
DFSN-H-60-M8-A	M6	10	199
DFSN-H-60-M8-B	M5	10	254

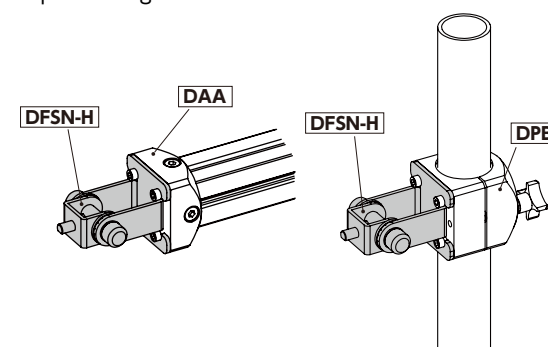
*1: For mounting to the **DFSN-H** device, use the hex socket head cap screws. Mounting bolts are not supplied.

Related Products

Parts can be used in combination.
For Aluminum Frame End Surface Mounting Bracket **DAA**
Mounting Plate **DAF**
For Round Pipe Bracket **DPB**



- You can adjust the angle of the workpiece mounted to the D-cut bolt.
- Tightening the angle retention nut will retain the angle after adjustment.
- You can combine the display mounting system **DFR** (→ P.xxxx) with the D-cut bolt, to mount the display or various workpieces.
- Because the aluminum frame end surface mounting bracket **DAA** (→ P.xxxx), mounting plate **DAF** (→ P.xxxx), and for round pipe bracket **DPB** (→ P.xxxx) have compatible mounting dimensions, you can combine them for use, as is, without any processing.

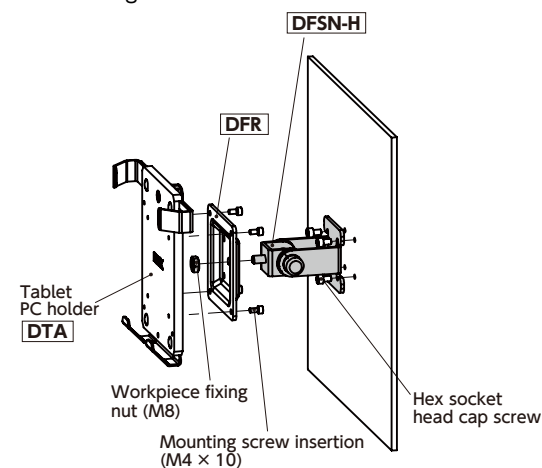


Application

Machine tool / Medical equipment / FPD production device / Semiconductor manufacturing device / Packing machine / Food machinery

Installation Method

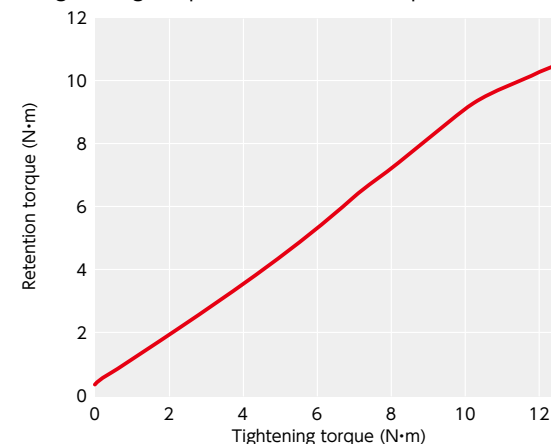
Mount the workpiece to a D-cut bolt, and fix it in place with a workpiece fixing nut.
For mounting to the device, use a hex head mounting bolt.



⚠ Precautions for Use

- Even when the angle retention nut is in a loosened state, a certain specified torque (0.1N·m or higher) is necessary for angle adjustment. When performing angle adjustment, be careful to avoid applying an excessive load to the load item.
- Do not try to forcibly adjust the angle when the angle retention nut is in a tightened state. This will wear down the retention part, reducing its retention force.

Relationship between angle retention nut tightening torque and retention torque



The retention torques are test values. They are not guaranteed values.

Part number specification

DFSN-H-60-M8-A

