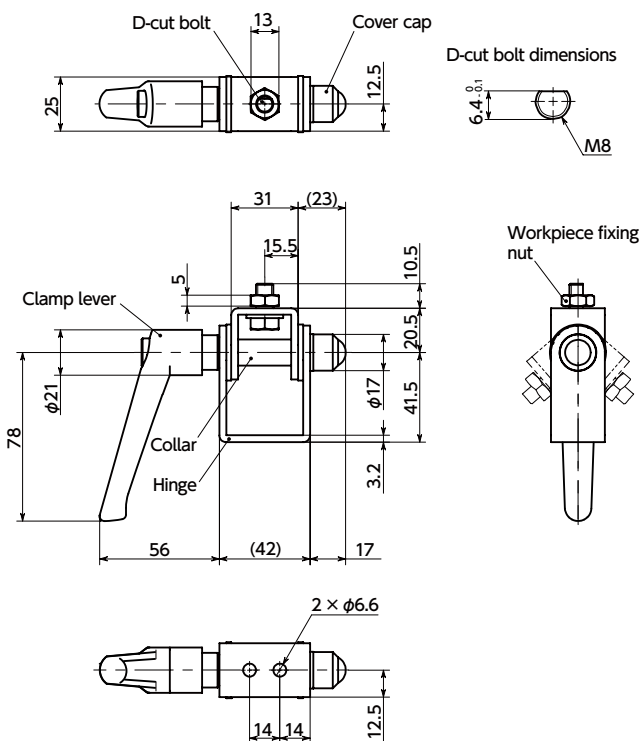


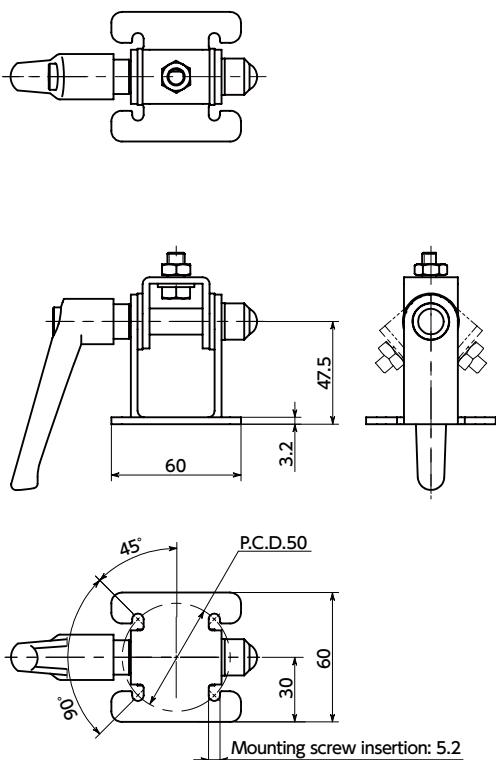
DFS-H Angle Hinge - Clamp Lever Retention

□ wall/panel Mount

DFS-H-60-M8-A



DFS-H-60-M8-B



Material/Finish



	DFS-H
Hinge	SPCC Electrostatic Coating (black)
Clamp Lever	Nylon 6 (Matte Black)
D-cut Bolt	SUS304
Workpiece Fixing Nut	SUS304
Cover Cap	Polyethylene (Black)
Collar	SPCC Trivalent Chromate Treatment

Part Number	Nominal of Mounting Thread*1	Max. Load Weight (kg)	Mass (g)
DFS-H-60-M8-A	M6	6	244
DFS-H-60-M8-B	M5	6	299

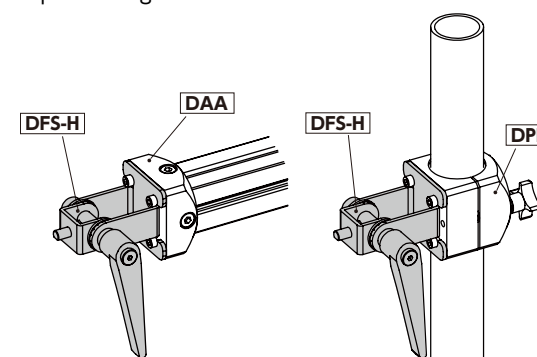
*1: For mounting to the DFS-H device, use the hex socket head cap screws. Mounting bolts are not supplied.

Related Products

Parts can be used in combination.
For Aluminum Frame End Surface Mounting Bracket **DAA**
Mounting Plate **DAF**
For Round Pipe Bracket **DPB**



- You can adjust the angle of the workpiece mounted to the D-cut bolt.
- Tightening the clamp lever will retain the angle after adjustment.
- You can combine the display mounting system **DFR** (→ P.xxxx) with the D-cut bolt, to mount the display or various workpieces.
- Because the aluminum frame end surface mounting bracket **DAA** (→ P.xxxx), mounting plate **DAF** (→ P.xxxx), and for round pipe bracket **DPB** (→ P.xxxx) have compatible mounting dimensions, you can combine them for use, as is, without any processing.

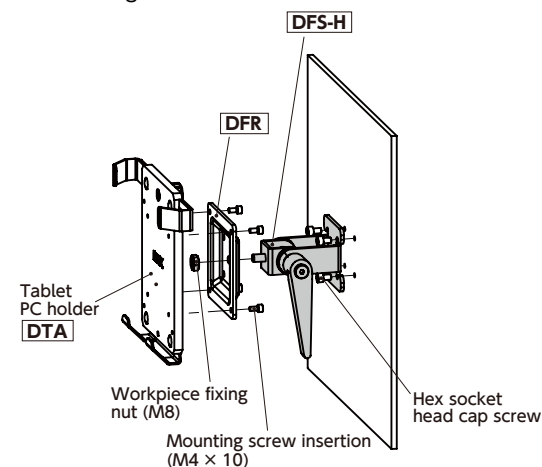


Application

Machine tool / Medical equipment / FPD production device / Semiconductor manufacturing device / Packing machine / Food machinery

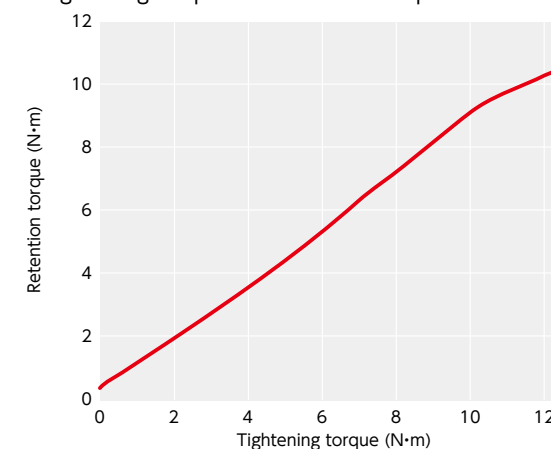
Installation Method

Mount the workpiece to a D-cut bolt, and fix it in place with a workpiece fixing nut.
For mounting to the device, use a hex head mounting bolt.



⚠️ Precautions for Use

- Even when the clamp lever is in a loosened state, a certain specified torque (0.1N·m or higher) is necessary for angle adjustment. When performing angle adjustment, be careful to avoid applying an excessive load to the load item.
- Do not try to forcibly adjust the angle when the clamp lever is in a tightened state. This will wear down the retention part, reducing its retention force.
- Relationship between angle retention nut tightening torque and retention torque



- The retention torques are test values based on the hex nut retention type **DFSN-H**. They are not guaranteed values for **DFS-H**.

Part number specification

DFS-H-60-M8-A

