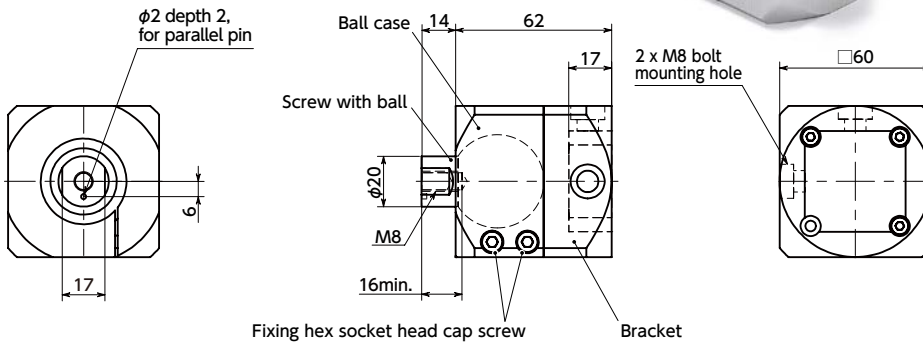


# DFKF-AA Ball Joint (Female Screw 1 - Hole) - Aluminum Frame End Surface Mounting

Aluminum frame edge mount



## ● Material/Finish



	<b>DFKF-AA</b>
Ball Case	A6063 Anodized
Screw with ball	S45C Trivalent Chromate Treatment
Fixing Hex Socket Head Cap Screw (M5×16mm)	SCM435 Ferrosoferric Oxide Film
Bracket	A6063 Anodized

- A positioning component utilizing a ball screw. Mount the workpiece to the screw at the ball tip for use.
- The screw with ball can be tilted by  $\pm 15^\circ$  and rotated in any direction within  $360^\circ$ .
- By tightening the fixing hex socket head cap screw, securely retain the angle after adjustment.
- Can be mounted to  $\square 40$  aluminum frame end surfaces.

## ● Application

Machine tool / Medical equipment / FPD production device / Semiconductor manufacturing device / Packing machine / Food machinery

Part Number	Tightening Torque *1 (N·m)	Fixing Hex Socket Head Cap Screw Tightening Torque Reference Value (N·m)	Screw With Ball Retention Torque *2 (N·m)	Max. Load Weight (kg)	Mass (g)
<b>DFKF-60-M8-AA-40</b>	12.5	3	10	10	630

\*1: Screw tightening torque of the screw with ball.

\*2: Retention torque is the value indicated when the hex socket head cap screw is tightening to the torque indicated.

● Hex socket low profile bolts (M8 × 16 mm) × 2 pcs are supplied.

● All sizes come with stainless steel parallel pins ( $\phi 2 \times 6$ ) that prevent the workpiece from rotating.

## ● Part number specification

**DFKF-60-M8-AA-40**

