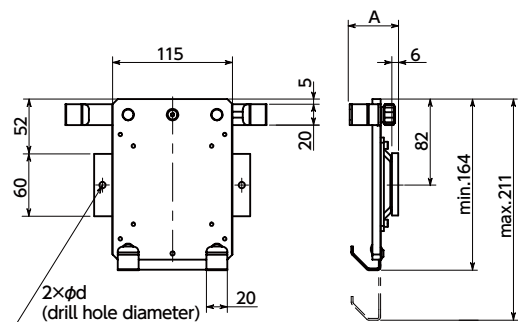
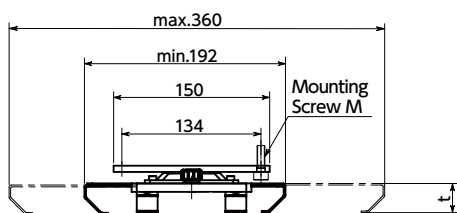
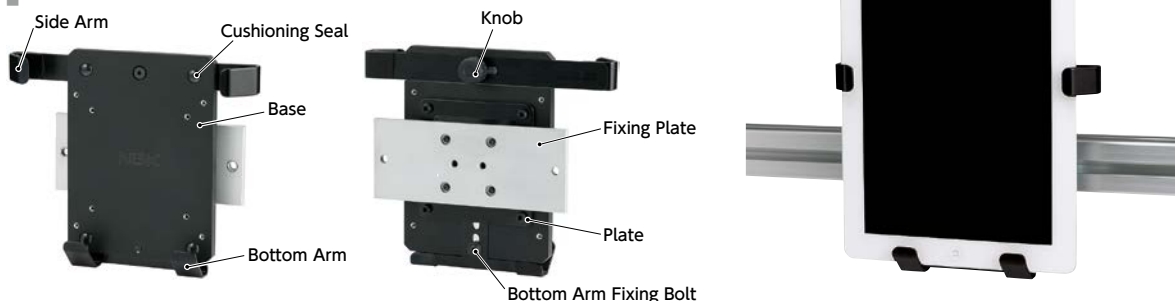


# DTAR-AF Tablet PC Holder Registered Design

Aluminum frame mount
wall/panel Mount

## Structure



- A holder for mounting equipment and devices to tablet PCs.
- Can be mounted on aluminum frames, wall panels and sheet metal.
- Robust design. It has excellent durability.
- Tablet PCs between 9 and 12 inches\*1 can be mounted by adjusting the side arm and bottom arm.
- Arm interference with the various tablet PC ports can be avoided by adjusting the side arm and bottom arm position.
- Select the model number depending on the thickness of the tablet PC to be mounted.  
 Tablet PC Thickness  
 6 - 13 mm ——— **DTAR-13-330-AF-\*\*-BK**  
 13 - 20 mm ——— **DTAR-20-330-AF-\*\*-BK**
- The nylon coating on the arm tip and the cushioning seal on the base prevent the tablet PC from being scratched.
- \*1: 9-inch and 10-inch tablet PCs can only be installed horizontally.

### Application

Machine tool / Medical equipment / FPD production device / Semiconductor manufacturing device / Packing machine / Food machinery

Part Number <span style="color: red;">1</span>	Supports Tablet PCs			M*1				A	t	Max. Load Weight (kg)	Mass (g)
	Thickness min. / max.	Width min. / max.	Height min.	(d)	2						
<b>DTAR-13-330-AF-**-BK</b>	6 / 13	190 / 330	155	M4 (5)	M5 (6)	M6 (7)	M8 (9)	47	28	5	1142
<b>DTAR-20-330-AF-**-BK</b>	13 / 20	190 / 330	155	M4 (5)	M5 (6)	M6 (7)	M8 (9)	54	35	5	1149

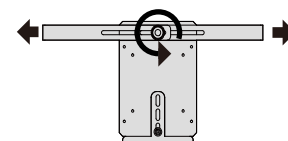
\*1: Mounting screws are not supplied.

### Material/Finish

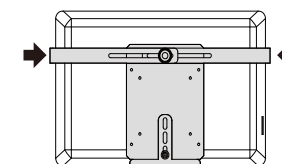


	<b>DTAR-AF</b>
Base	Aluminum Alloy Electrostatic Coating
Side Arm	SPHC Electrostatic Coating
Bottom Arm	Nylon Coating (Tip Only)
Knob	Nylon 6
Knob Thread Part	S45C Trivalent Chromate Treatment
Bottom Arm Fixing Bolt	SCM435 Ferrosferric Oxide Film
Cushioning Seal	Polyurethane
Plate	SPHC Electrostatic Coating
Fixing Plate	SS400 Electrostatic Coating

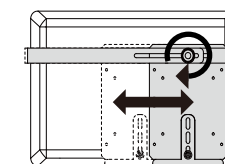
### Tablet PC Mounting Method



- 1 Loosen the rear knob to freely move the side arms.

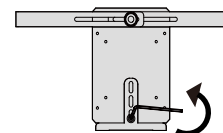


- 2 Insert the tablet PC and push the side arms from both sides to secure it. Secure firmly so that the cushioning seal touches the tablet PC closely.

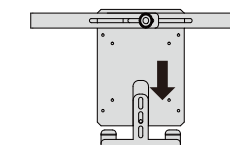


- 3 Adjust the positions of the arms if they interfere with the tablet PC ports. Tighten the rear knob to complete mounting.\*1

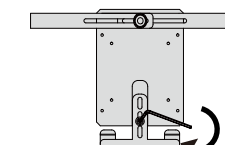
### Height Adjustment Method



- 1 Loosen the bottom arm fixing bolt with a hex wrench to remove.



- 2 Adjust the bottom arm to the desired position.



- 3 Firmly tighten the bottom arm fixing bolt with a hex wrench.\*1

\*1: The tablet PC may fall out of the holder if not tightened sufficiently.

### Part number specification

**DTAR-13-330-AF-M4-BK**

