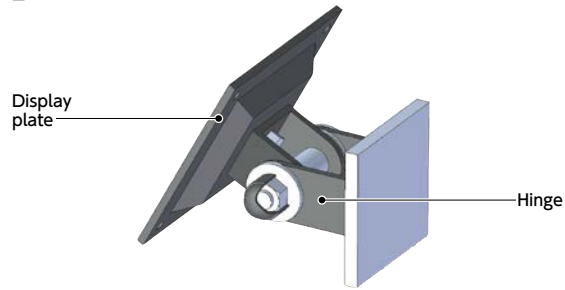


**Structure**



● Material/Finish



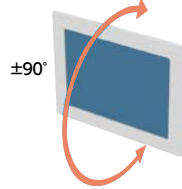
	DFS-AF	DFS-AA DFS-PB	DFSN-AF	DFSN-AA DFSN-PB
Display Plate	SPHC Electrostatic Coating			
Hinge	SPCC Electrostatic Coating			
Clamp Lever	Nylon 6			
Hex Nut	-	-	S45C Trivalent Chromate Treatment	-
Fixing Plate	SS400 Electrostatic Coating	-	SS400 Electrostatic Coating	-
Bracket	-	A6063 Anodized	-	A6063 Anodized

● Max. load weight

Product code	Max. load weight(kg)
<b>DFS</b>	6
<b>DFSN</b>	10



- The display can be tilted in one axial direction. The adjustable range is less than ±90°. ([DFS\*-AF] is less than ±90°)



- By tightening the clamp lever or hex nut, securely retain the angle after adjustment. **1**
- Three types of Mounting System for Display® are available for different types of mounting surfaces.

- For aluminum frame / For wall panel and sheet metal — **DFS\*-AF**
- For aluminum frame end surface mounting — **DFS\*-AA**
- For Round Pipe — **DFS\*-PB**

● Application

Machine tool / Medical equipment / FPD production device / Semiconductor manufacturing device / Packing machine / Food machinery

● Part number specification

**DFS N-75-AA-40**

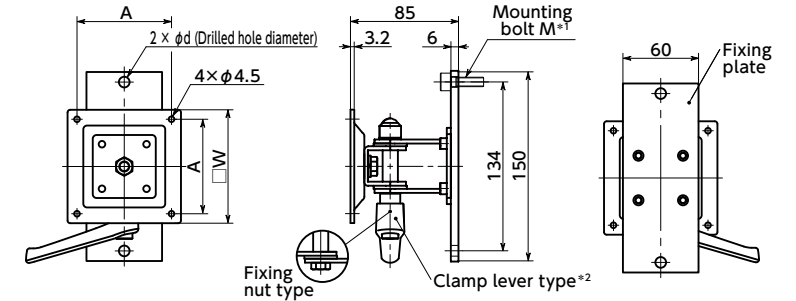
Product Code **1 2 3 4**

Example of part number: DFS-100-AF-M8 / DFSN-75-PB-40

● For aluminum frame / For wall panel and sheet metal

**DFS-AF**

**DFSN-AF**



- \*1: Mounting bolts are not supplied.
- \*2: The clamp lever setscrews for the clamp lever type **DFS** have been changed from hex sockets to hexalobular sockets.

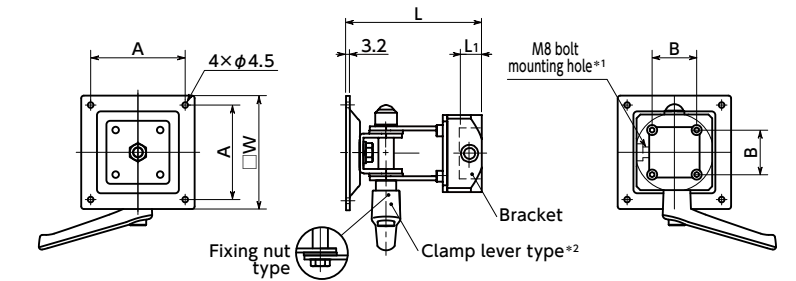
Unit : mm

Part Number	Part Number	A <b>2</b>	M(d) <b>4</b>	W	Mass (g)
<b>DFS-75-AF-**</b>	<b>DFSN-75-AF-**</b>	75	M4 (5) M5 (6) M6 (7) M8 (9)	90	890 - 930
<b>DFS-100-AF-**</b>	<b>DFSN-100-AF-**</b>	100	M4 (5) M5 (6) M6 (7) M8 (9)	115	990 - 1030

● For aluminum frame end surface mounting

**DFS-AA**

**DFSN-AA**



- \*1: Hex socket low head bolts (M8 × 16 mm) are provided.
- \*2: The clamp lever setscrews for the clamp lever type **DFS** have been changed from hex sockets to hexalobular sockets.

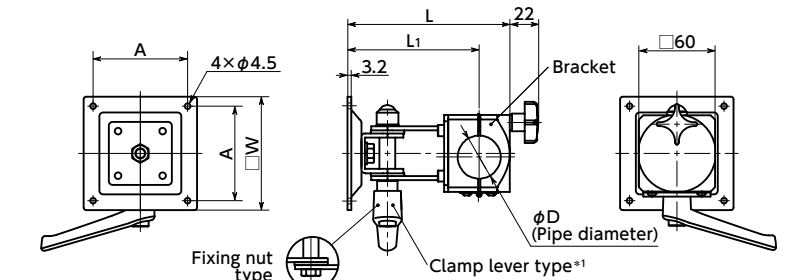
Unit : mm

Part Number	Part Number	A <b>2</b>	B <b>4</b>	W	L1	L	Mass (g)
<b>DFS-75-AA-40</b>	<b>DFSN-75-AA-40</b>	75	40	90	17	106	680 - 720
<b>DFS-100-AA-40</b>	<b>DFSN-100-AA-40</b>	100	40	115	17	106	780 - 820

● For Round Pipe

**DFS-PB**

**DFSN-PB**



- \*1: The clamp lever setscrews for the clamp lever type **DFS** have been changed from hex sockets to hexalobular sockets.

Unit : mm

Part Number	Part Number	A <b>2</b>	D <b>4</b>	W	L1	L	Mass (g)		
<b>DFS-75-PB-**</b>	<b>DFSN-75-PB-**</b>	75	28	30	34	90	103	127	800 - 870
			40	42.7		90	107	135	790 - 860
<b>DFS-100-PB-**</b>	<b>DFSN-100-PB-**</b>	100	28	30	34	115	103	127	900 - 970
			40	42.7		115	107	135	890 - 960

- Fixing rubber sheet is attached.