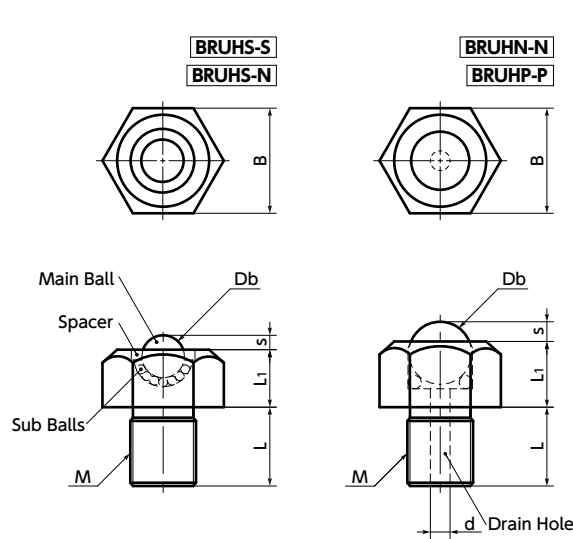


BRUHS/BRUHN/BRUHP Ball Rollers - Hex Head Screw Type

SUS Stainless steel



- Hexagon head screw type ball rollers for upward applications. They can be installed or removed by using a open-ended spanner or ring spanner.
- You can select from the following main body and main ball combinations : stainless steel, polyacetal, and PEEK.
- **BRUHP-P** is intended for applications that require cleanliness, heat resistance, or chemical resistance, such as FPD production equipment and semiconductor devices.
- **BRUHN-N** and **BRUHP-P** have drain holes and are intended for food production lines and other applications that require cleaning.
- **BRUHS** has a small coefficient of friction and can move workpiece with less force.
- Application
FPD production equipment, semiconductor devices, food production lines, and packaging lines

⚠ Precautions for Use

- **BRUHS** is for forward applications only. If it used for downward or sideward applications, the product may be damaged or the ball may malfunction.
- **BRUHN-N** and **BRUHP-P** can be used in upward, downward, and sideward facing applications.

• Material/Finish

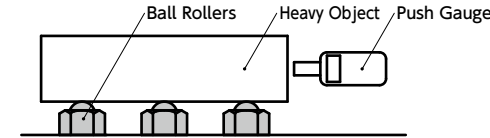
| | BRUHS-S | BRUHS-N | BRUHN-N | BRUHP-P |
|-----------|------------------------------------|------------------------------------|------------------------------------|------------------------------------|
| Main Body | SUS304 | SUS304 | Polyacetal/White | PEEK/Light Brown |
| Main Ball | SUS440C (Hardness 55HRC or Higher) | Polyacetal/White | Polyacetal/White | PEEK/Light Brown |
| Sub Ball | SUS440C (Hardness 55HRC or Higher) | SUS440C (Hardness 55HRC or Higher) | SUS440C (Hardness 55HRC or Higher) | SUS440C (Hardness 55HRC or Higher) |
| Spacer | SUS304 | SUS304 | | |

BRUHS-S | BRUHS-N Main Body: Made of Stainless Steel

| Part Number | Withstand Load (N) | Part Number | Withstand Load (N) | Common Dimensions | | | | | | | |
|-------------------|--------------------|-------------|--------------------|-------------------|------|----|----|-----|-------|----|----------|
| | | | | M (Coarse) | | L | L1 | s | Db | B | Mass (g) |
| Nominal of Thread | Pitch | | | | | | | | | | |
| BRUHS-5-S | 12 | BRUHS-5-N | 6 | M5 | 0.8 | 6 | 5 | 1.1 | 4 | 8 | 2.6 |
| BRUHS-6-S | 14 | BRUHS-6-N | 7 | M6 | 1 | 8 | 6 | 1.2 | 4.76 | 10 | 4.8 |
| BRUHS-8-S | 41 | BRUHS-8-N | 27 | M8 | 1.25 | 10 | 7 | 1.5 | 5.56 | 13 | 10 |
| BRUHS-10-S | 55 | BRUHS-10-N | 34 | M10 | 1.5 | 12 | 10 | 2.5 | 8.73 | 17 | 24 |
| BRUHS-12-S | 62 | BRUHS-12-N | 55 | M12 | 1.75 | 15 | 11 | 3.5 | 10.32 | 19 | 35 |
| BRUHS-16-S | 343 | BRUHS-16-N | 69 | M16 | 2 | 20 | 15 | 5.3 | 15.87 | 24 | 83 |
| BRUHS-20-S | 412 | BRUHS-20-N | 82 | M20 | 2.5 | 25 | 18 | 6.3 | 19.05 | 30 | 158 |

• Starting coefficient of friction measurement

A heavy object of the max withstand load is loaded on 3 ball rollers. The force to move the heavy object was measured with a push gauge, and the starting coefficient of friction μ was calculated.



| Part Number | Starting Coefficient of Friction μ |
|---|--|
| BRUHS-S (Main Body and Main Ball : Stainless Steel) | 0.03 |
| BRUHS-N (Main Body : Stainless Steel/ Main Ball : Polyacetal) | 0.04 |
| BRUHN-N (Main Body and Main Ball : Polyacetal) | 0.08 |
| BRUHP-P (Main Body and Main Ball : PEEK) | 0.08 |

• Values in chart are from actual measurements in testing.They are not guaranteed values.

BRUHN-N Main Body and Main Ball: Polyacetal

| Part Number | M (Coarse) | | L | L1 | s | Db | B | d | Withstand Load (N) | Mass (g) |
|-------------|-------------------|-------|----|----|-----|-------|----|-----|--------------------|----------|
| | Nominal of Thread | Pitch | | | | | | | | |
| BRUHN-4-N | M4 | 0.7 | 5 | 4 | 1 | 3.18 | 7 | 0.8 | 1 | 0.33 |
| BRUHN-5-N | M5 | 0.8 | 6 | 5 | 1.5 | 4.76 | 8 | 1.5 | 2 | 0.48 |
| BRUHN-6-N | M6 | 1 | 8 | 6 | 1.7 | 5.56 | 10 | 2.5 | 4 | 0.91 |
| BRUHN-8-N | M8 | 1.25 | 10 | 8 | 2.8 | 8.73 | 13 | 3 | 7 | 2.2 |
| BRUHN-10-N | M10 | 1.5 | 12 | 10 | 3.5 | 10.32 | 17 | 3.5 | 11 | 4.5 |

BRUHP-P Main Body and Main Ball: PEEK

| Part Number | M (Coarse) | | L | L1 | s | Db | B | d | Withstand Load (N) | Mass (g) |
|-------------|-------------------|-------|----|----|-----|------|----|-----|--------------------|----------|
| | Nominal of Thread | Pitch | | | | | | | | |
| BRUHP-5-P | M5 | 0.8 | 6 | 5 | 1.5 | 4.76 | 8 | 1.5 | 2 | 0.48 |
| BRUHP-6-P | M6 | 1 | 8 | 6 | 2 | 6.35 | 10 | 2.5 | 5 | 0.91 |
| BRUHP-8-P | M8 | 1.25 | 10 | 8 | 2.5 | 7.94 | 13 | 3 | 6 | 2 |
| BRUHP-10-P | M10 | 1.5 | 12 | 10 | 3 | 9.53 | 17 | 3.5 | 8 | 4.1 |

• Part number specification

BRUHS-12-N

Product Code M Main Ball: "S" or "N" or "P"

| | | | |
|---------------------------|-------------------------------------|----------------------------------|------------------------------|
| Individual Sales → P.xxxx | Cleanroom Wash & Packaging → P.xxxx | Screw Length Adjustment → P.xxxx | Vibration Resistant → P.xxxx |
| 1 piece in 1 pack | Please feel free to contact us | Not Available | Not Available |