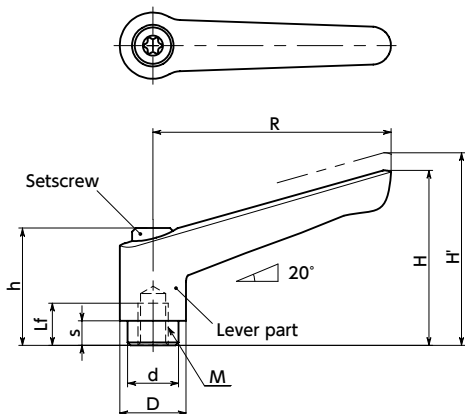


# LEFS-MD Metal Detectable Plastic Clamp Levers (Female Screws)



SUS Stainless steel



## Material/Finish



	LEFS-MD
Lever Part	Nylon 6/Iron-Based Components (Blue Gray)
Thread part	SUS303
Setscrew	Stainless Steel
Serration Ring (Insert)	Zinc Die Cast
Spring	Stainless Steel Wire

## Part Number Specification

### LEFS-12-MD



- The zinc die cast serration ring is inserted into the plastic lever main unit. It achieves sufficient fitting strength with the metal screw serrations.
- Metal detectable. Metal powder admixed into the lever part resin enables detection with a metal detector, reducing risks of contamination with foreign substances.
- The lever part has a blue hue, a color seldom used in food products.
- Fulfills the "Specifications and Standards for Foods, Food Additives, etc. under the Food Sanitation Law," Notification No. 370 of MHW, 1959.
- A wide variety of screw sizes from M3 to M12.

### ⚠️ Precautions for Use

Depending on the setting of the metal detector(s) in use and the physical properties of the food products, etc., the size of the detectable metal pieces may vary.

For use, it is the customer's responsibility to be sure to conduct advance tests, evaluate the results thoroughly, and confirm whether the product conforms to safety and usage purposes.

Unit : mm

Part Number	M (Coarse)		Lf min.	R	H	H'	h	s	D	d	Tooth No.	Max. Load *1 (N)	Max. Clamping Force *1 (kN)	Mass (g)
	Nominal of Thread	Pitch												
LEFS-3-MD	M3	0.5	7	45	35.5	39	24.5	4.2	13	10	18	9	0.95	15
LEFS-4-MD	M4	0.7	8	45	35.5	39	24.5	4.2	13	10	18	21	1.7	15
LEFS-5-MD	M5	0.8	8	45	35.5	39	24.5	4.2	13	10	18	42	2.7	14
LEFS-6-MD	M6	1	8	45	35.5	39	24.5	4.2	13	10	18	70	3.8	13
LEFS-6B-MD	M6	1	11	63	45.8	49.8	31	6.5	17.5	13.5	24	50	3.8	34
LEFS-8-MD	M8	1.25	11	63	45.8	49.8	31	6.5	17.5	13.5	24	120	7	32
LEFS-8B-MD	M8	1.25	14	78	54.6	58.6	36	8	21	16	26	100	7	55
LEFS-10-MD	M10	1.5	14	78	54.6	58.6	36	8	21	16	26	200	11	55
LEFS-10B-MD	M10	1.5	17	92	65.7	65.7	43	11	25	19	28	170	11	64
LEFS-12A-MD	M12	1.75	14	78	54.6	58.6	36	8	21	16	26	350	16	69
LEFS-12-MD	M12	1.75	17	92	65.7	65.7	43	11	25	19	28	290	16	82

\*1: For the definitions of maximum load and maximum clamping force, see "Using the Clamp Lever / Tension Lever."

Cleanroom Wash & Packaging	Screw Combination	Screw Length Adjustment	Vibration Resistant	Laser Marking
Please feel free to contact us	Available / Add'l charge	Not Available	Not Available	Available / Add'l charge



WEB ▶ <https://www.nbk1560.com>