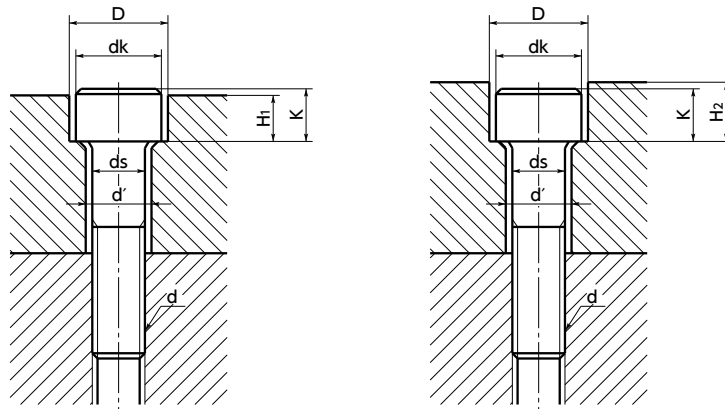


# Dimensions of Holes for Hexagon Socket Cap Screws

## Bore and bolt hole diameters for hex socket head cap screw



Unit: mm

Nominal diameter of thread (d)	M3	M4	M5	M6	M8	M10	M12	M14	M16	M20	M24
ds	3	4	5	6	8	10	12	14	16	20	24
d'	3.4	4.5	5.5	6.6	9	11	14	16	18	22	26
dk	5.5	7	8.5	10	13	16	18	21	24	30	36
D	6.5	8	9.5	11	14	17.5	20	23	26	32	39
K	3	4	5	6	8	10	12	14	16	20	24
H <sub>1</sub>	2.7	3.6	4.6	5.5	7.4	9.2	11	12.8	14.5	18.5	22.5
H <sub>2</sub>	3.3	4.4	5.4	6.5	8.6	10.8	13	15.2	17.5	21.5	25.5