

● Material/Finish



	SRCS
Main body	SUS303
Nut	SUS303

- Wide variations from roller chain nominal diameter No. 11 through 100.
- Right thread or left thread can be selected according to the end symbol of the part number.

SRCS-R ————— Right thread

SRCS-L ————— Left thread

- All products are provided with hexagon nuts (3 types).
- For linkage with a roller chain, a roller chain joint link or offset link is required.

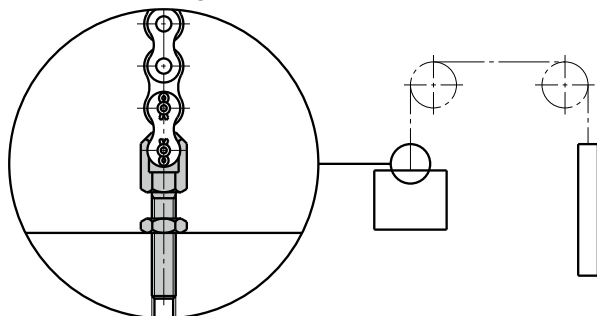
SRCS-R Right thread **SRCS-L** Left thread

Unit : mm

Part Number	Applicable Roller Chain Nominal Number 1	E 2	M (Coarse)		L ₁	L	F	d	B ₁	B ₂	H ₁	Max. load (N)	Mass (g)
			Nominal of Thread	Pitch									
SRCS-11-10-R	11	10	M2.5	0.45	9.1	17.2	1.8	1.7	2.4	5	1.6	240	1.8
SRCS-25-18-R	25	18	M4	0.7	16.5	28.2	3	2.4	4.8	7	2.4	680	5
SRCS-35-25-R	35	25	M6	1	23.5	40	4.5	3.7	7.4	10	3.6	1570	12
SRCS-40-33-R	40	33	M8	1.25	31	52.5	6	4	11.2	13	5	2840	30
SRCS-50-41-R	50	41	M10	1.5	39	65	7.5	5.2	13.8	17	6	4510	60
SRCS-60-49-R	60	49	M12	1.75	47	78	9	6	17.8	19	7	6570	100
SRCS-80-60-R	80	60	M16	2	57	98	12	8	22.6	24	10	12300	210
SRCS-100-70-R	100	70	M20	2.5	65	117	15	9.6	27.5	30	12	19200	440
SRCS-11-10-L	11	10	M2.5	0.45	9.1	17.2	1.8	1.7	2.4	5	1.6	240	1.8
SRCS-25-18-L	25	18	M4	0.7	16.5	28.2	3	2.4	4.8	7	2.4	680	5
SRCS-35-25-L	35	25	M6	1	23.5	40	4.5	3.7	7.4	10	3.6	1570	12
SRCS-40-33-L	40	33	M8	1.25	31	52.5	6	4	11.2	13	5	2840	30
SRCS-50-41-L	50	41	M10	1.5	39	65	7.5	5.2	13.8	17	6	4510	60
SRCS-60-49-L	60	49	M12	1.75	47	78	9	6	17.8	19	7	6570	100
SRCS-80-60-L	80	60	M16	2	57	98	12	8	22.6	24	10	12300	210
SRCS-100-70-L	100	70	M20	2.5	65	117	15	9.6	27.5	30	12	19200	440

● Usage example

For balance weight connection.



⚠ Precautions for Use

- If a roller chain bolt is used for a suspension device, implement safety measures to keep people off from beneath the device.
- Roller chain bolts are consumables. Regular inspection and replacement are necessary.
- The max. loads indicated in the dimension table are tensile values.
- Part number specification

SRCS-40-33-R

Product Code **1** **2** **3**

Cleanroom Wash & Packaging → P.xxxx	Screw Length Adjustment → P.xxxx	Vibration Resistant → P.xxxx	Laser Marking → P.xxxx
Please feel free to contact us	Available / Add'l charge	Available / Add'l charge	Not Available