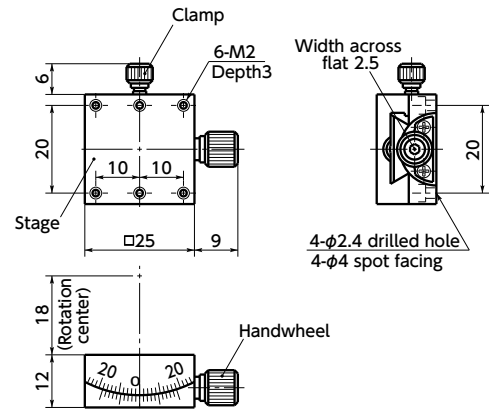
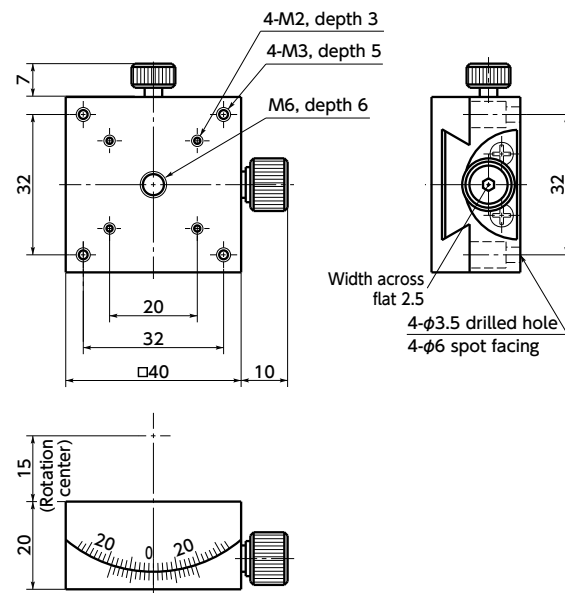


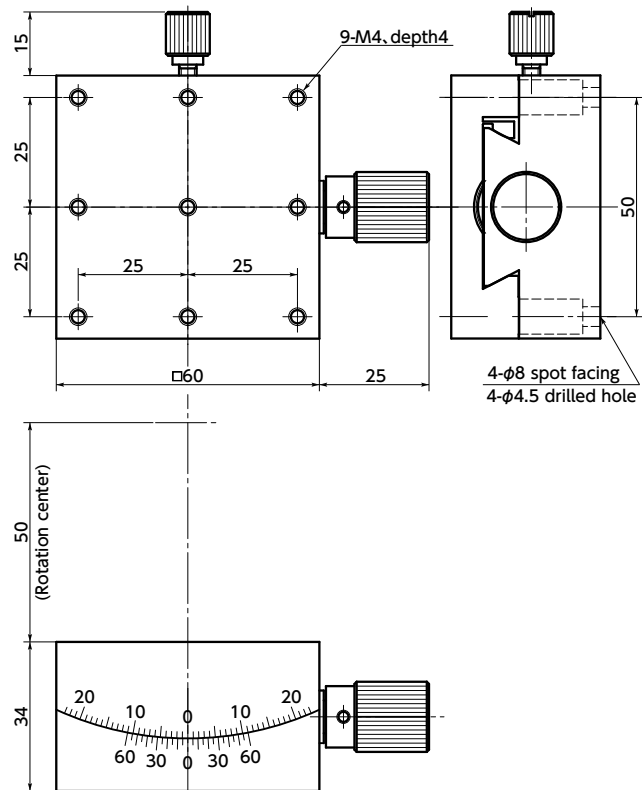
TGOH-251



TGOH-6



TGOHN-3



- Goniometer stages used for tilted rotation.
- Compact state with minimum projection. Effective when there are space constraints or for assembly.
- Dovetail groove method is adopted for the travel guide. A rattle correction function is provided.
- Material/Finish

	TGOH
Stage	Brass Black chrome plating
Main body	Brass Black chrome plating



Unit : mm

Part Number	Stage Face	Travel Guide	Travel Distance	Stroke (°/Rotation)	Mass (g)
TGOH-251	25×25	Dovetail Groove Method	±20°	3.1	70
TGOH-6	40×40	Dovetail Groove Method	±20°	2.83	250
TGOHN-3	60×60	Dovetail Groove Method	±20°	1.03	1000

Unit : mm

Part Number	Rotation position displacement	Parallelism	Display Resolution	Position Resolution	Withstand load (N)
TGOH-251	0.1	0.05	6'	3'	19.6
TGOH-6	0.1	0.05	6'	2'	68.7
TGOHN-3	0.1	0.05	5'	2'	98

● Pan head machine screws for mounting (M2 x 4 TGOH-251) and M3 x 6 TGOH-6) and hex socket head cap screw (M4 x 8 TGOHN-3) are provided.

● Mounting

- ① Turn the handwheel right to feed the stage to the end.
- ② Then two mounting holes appear. Temporarily fix it with the supplied screws.
- ③ Turn the handwheel right to return the stage back.
- ④ Then two mounting holes appear. Temporarily fix it with the supplied screws.
- ⑤ Check the position and then fix the stage by tightening all screws.

- Part number specification

TGOH-251

