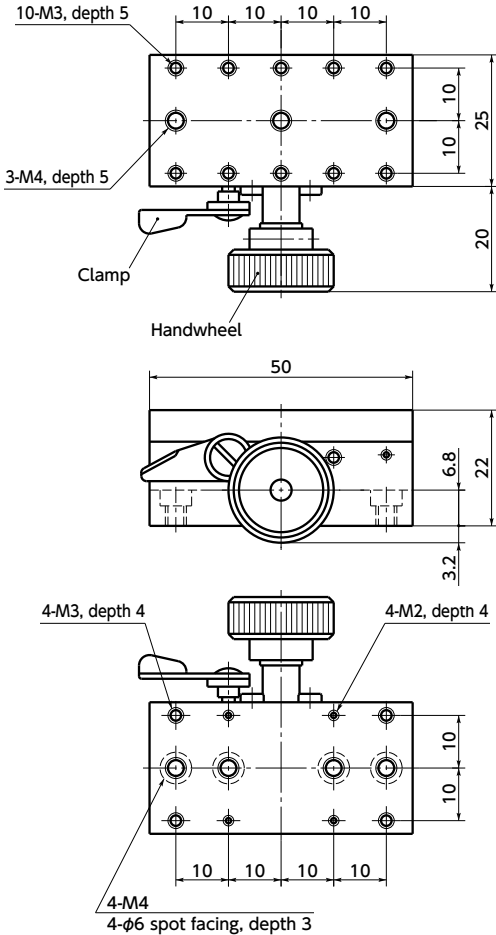


TAR-X Miniature X-axis Rack-and-Pinion Stages



WEB Selection Tool WEB CAD Download



- Rack-and-pinion method allows for quicker feeding.
- Dovetail groove method is adopted for the travel guide. A rattle correction function is provided.
- As the main body is directly mounted without a mounting spacer, the main body is thin and compact.

● Material/Finish

RoHS2 Compliant

	TAR-X
Stage	Brass Black chrome plating
Main body	Brass Coating (Silver)

⚠️ Precautions for Use

As the feeding handwheel is beyond the main body bottom surface, it cannot be directly mounted to a flat plane. Relief by a spacer, etc. is necessary.

Unit : mm

Part Number	Stage Face	Travel Guide	Travel distance	Stroke (mm/Rotation)	Mass (g)
TAR-2550X	25×50	Dovetail Groove Method	±10	20	220

Unit : mm

Part Number	Straightness	Parallelism	Display Resolution	Position Resolution	Withstand load (N)
TAR-2550X	0.02	0.05	0.1	0.1	78.5

● Pan head machine screws for mounting (M3 x 8) are provided.

● Mounting

Spot facing is performed on the screw hole for mounting. Therefore, fixing from vertical directions is possible.

- Fixing from above (both ends only)——M3
- Fixing from beneath——M2/M3/M4

- Part number specification

TAR-2550X

