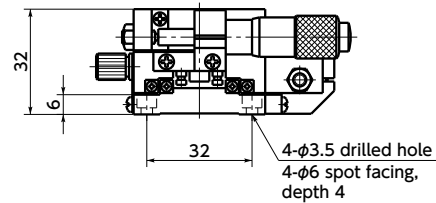
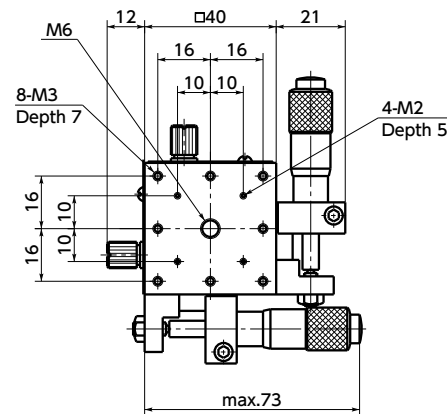
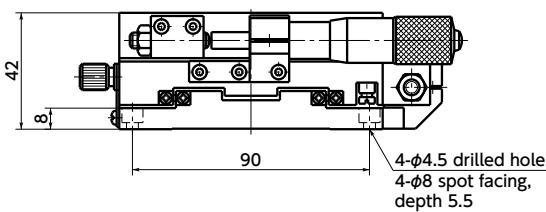
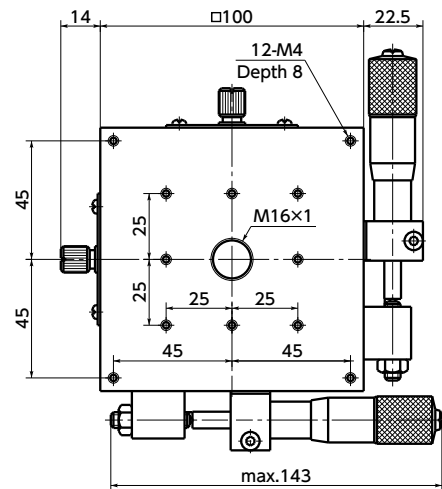


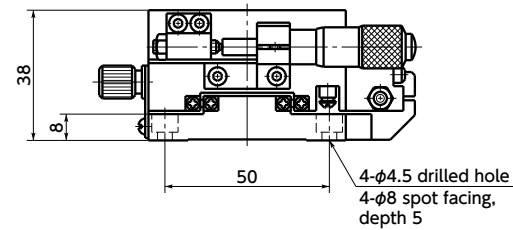
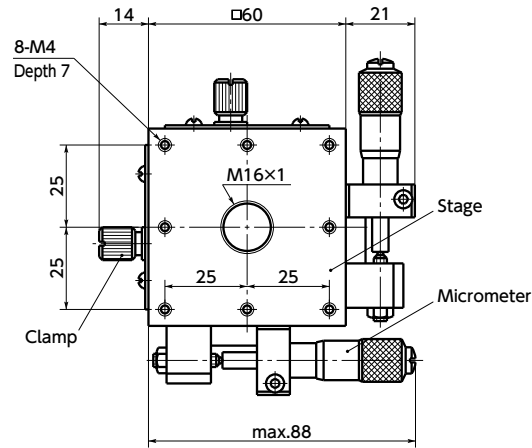
**TAM-40SXY**



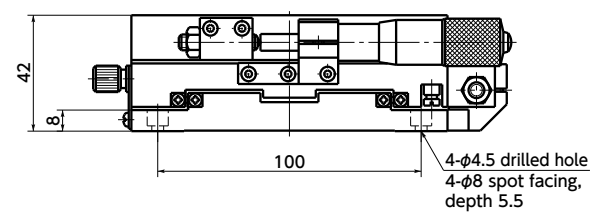
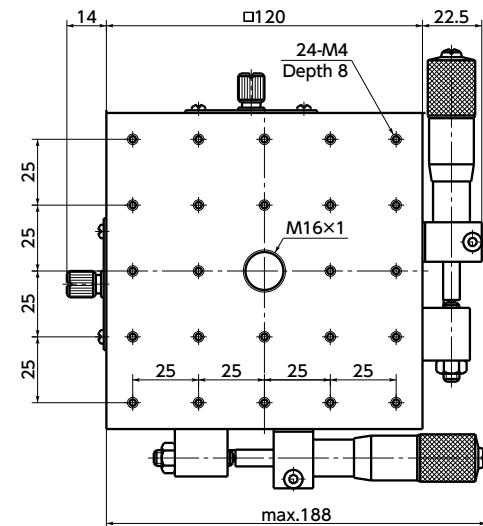
**TAM-100SXY**



**TAM-60SXY**



**TAM-120SXY**



- Two axes (X and Y axes) can be moved.
- 4 stage size types.
- Made of Aluminum. Light weight.
- For travel guide, V-groove rail and cross roller system are adopted. It is high-precision.
- Feed system by micrometer. Feeding display resolution is 0.01 mm.

• Material/Finish RoHS

	<b>TAM-SXY</b>
Stage	Aluminum Alloy Anodized (Black)
Main body	Aluminum Alloy Anodized (Black)

• Mounting parts are supplied with each product.

Part Number	Supplied Items
<b>TAM-40SXY</b>	Pan Head Machine Screw (M3 x 6) and Spring Washer
<b>TAM-60SXY</b>	Hex Socket Head Cap Screw (M4 x 8)
<b>TAM-100SXY</b>	Hex Socket Head Cap Screw (M4 x 8) and Spring Washer
<b>TAM-120SXY</b>	Hex Socket Head Cap Screw (M4 x 8) and Spring Washer

Part Number	Stage Face	Travel Guide	Travel Distance	Mass (g)
<b>TAM-40SXY</b>	40×40	V-groove Rail and Cross Roller System	±6.5	300
<b>TAM-60SXY</b>	60×60	V-groove Rail and Cross Roller System	±6.5	600
<b>TAM-100SXY</b>	100×100	V-groove Rail and Cross Roller System	±12.5	1500
<b>TAM-120SXY</b>	120×120	V-groove Rail and Cross Roller System	±20	2500

Unit : mm

Part Number	Straightness	Pitch	Yaw	Parallelism	Moving parallelism	Display Resolution	Position Resolution	Withstand load (N)
<b>TAM-40SXY</b>	0.002	40"	25"	0.05	0.02	0.01	0.003	49
<b>TAM-60SXY</b>	0.002	25"	15"	0.05	0.02	0.01	0.003	196
<b>TAM-100SXY</b>	0.002	25"	15"	0.05	0.025	0.01	0.003	490
<b>TAM-120SXY</b>	0.002	40"	25"	0.05	0.03	0.01	0.003	588

Unit : mm

- Mounting
- ① Turn the micrometer right to feed the stage to the end.
  - ② Then two mounting holes appear. Temporarily fix it with the supplied screws.
  - ③ Turn the micrometer right to return the stage back.
  - ④ Then two mounting holes appear. Temporarily fix it with the supplied screws.
  - ⑤ Check the position and then fix it.



• Part number specification

## TAM-60SXY

