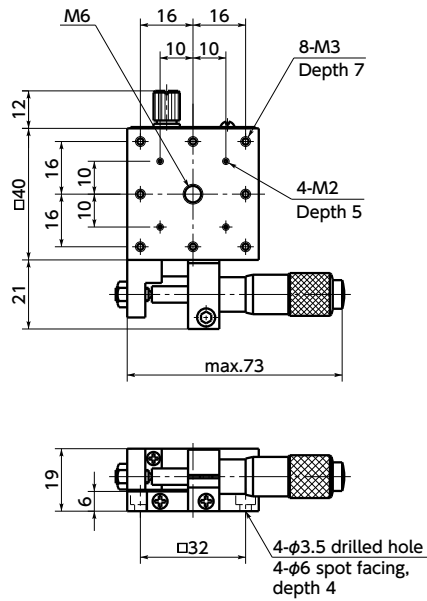
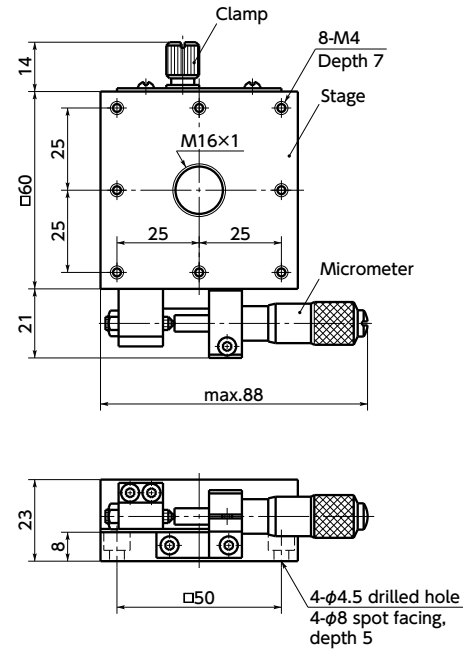


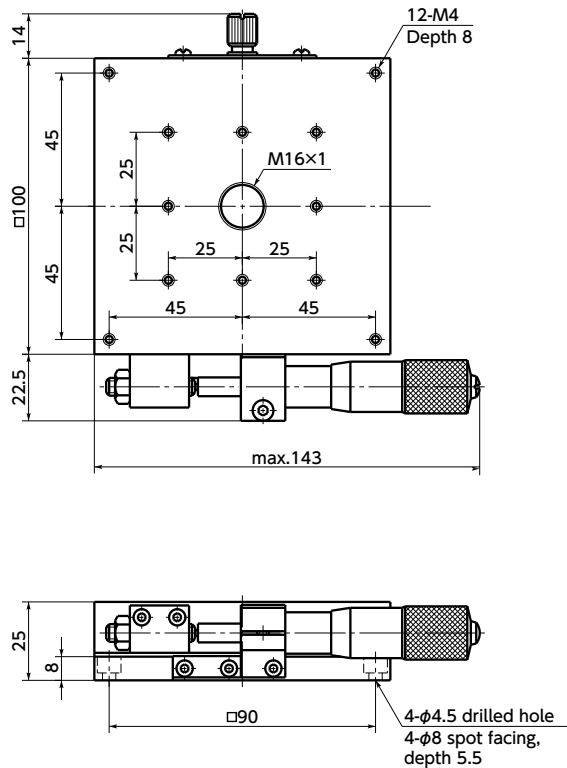
TAM-40S



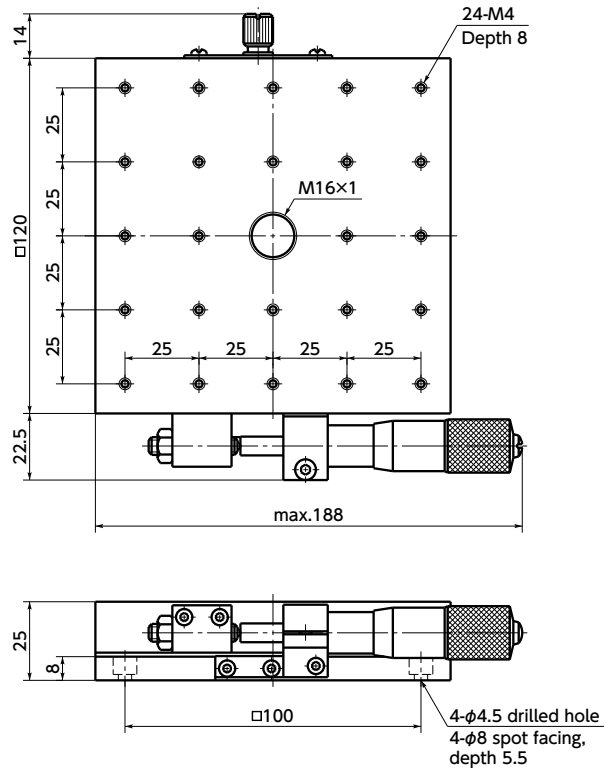
TAM-60S



TAM-100S



TAM-120S



TAM-100S

- 4 stage size types.
- Made of Aluminum. Light weight.
- For travel guide, V-groove rail and cross roller system are adopted. It is high-precision.
- Feed system by micrometer. Feeding display resolution is 0.01 mm.

• Material/Finish RoHS

	TAM-S
Stage	Aluminum Alloy Anodized (Black)
Main body	Aluminum Alloy Anodized (Black)

- Mounting parts are supplied with each product.

Part Number	Supplied Items
TAM-40S	Pan Head Machine Screw (M3 x 6) and Spring Washer
TAM-60S	Hex Socket Head Cap Screw (M4 x 8)
TAM-100S	Hex Socket Head Cap Screw (M4 x 8) and Spring Washer
TAM-120S	Hex Socket Head Cap Screw (M4 x 8) and Spring Washer

Unit : mm

Part Number	Stage Face	Travel Guide	Travel Distance	Mass (g)
TAM-40S	40×40	V-groove Rail and Cross Roller System	±6.5	200
TAM-60S	60×60	V-groove Rail and Cross Roller System	±6.5	300
TAM-100S	100×100	V-groove Rail and Cross Roller System	±12.5	900
TAM-120S	120×120	V-groove Rail and Cross Roller System	±20	1300

Unit : mm

Part Number	Straightness	Pitch	Yaw	Parallelism	Moving parallelism	Display Resolution	Position Resolution	Withstand load (N)
TAM-40S	0.002	40"	25"	0.03	0.01	0.01	0.003	49
TAM-60S	0.002	25"	15"	0.03	0.01	0.01	0.003	196
TAM-100S	0.002	25"	15"	0.05	0.015	0.01	0.003	490
TAM-120S	0.002	40"	25"	0.05	0.015	0.01	0.003	588

- Mounting
 - ① Turn the micrometer right to feed the stage to the end.
 - ② Then two mounting holes appear. Temporarily fix it with the supplied screws.
 - ③ Turn the micrometer right to return the stage back.
 - ④ Then two mounting holes appear. Temporarily fix it with the supplied screws.
 - ⑤ Check the position and then fix it.

- Part number specification

TAM-60S

