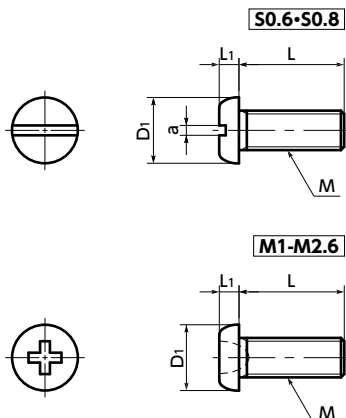




SNZS Pan Head Machine Screws for Precision Instruments

Miniature Size **SUS** Stainless steel



- Miniature screws for precision instruments in sizes from S0.6 to S0.8 and M1 to M2.6.
- Pan head machine screws of low profile. For applications with limited overhead space.

• Application

Reducing the size of equipment and devices
Compact precision instruments

• Material/Finish



	SNZS
Main Body	SUSXM7 (Equivalent to SUS304)

Unit : mm

Part Number ¹	M (Coarse)		L ²										D1	L1	Cross-recessed Socket Number	a	Max. Torque (N·m)	Mass (g)	Qty per Pack		
	Nominal of Thread	Pitch	1	1.5	2																
SNZS-S0.6	S0.6	0.15	1	1.5	2									1.3	0.4	–	0.25	0.005	0.0031 - 0.0058	10	
SNZS-S0.8	S0.8	0.2	1	1.5	2									1.6	0.5	–	0.25	0.01	0.0067 - 0.011	10	
SNZS-M1	M1	0.25		2	3	4	5							1.8	0.45	0	-	0.02	0.013 - 0.025	50	
SNZS-M1.4	M1.4	0.3		2	3	4	5	6	8	10				2	0.5	0	-	0.07	0.024 - 0.09	50	
SNZS-M1.6	M1.6	0.35		2	3	4	5	6	8	10	12			2.3	0.5	0	-	0.1	0.033 - 0.13	50	
SNZS-M1.7	M1.7	0.35		2	3	4	5	6	8	10	12	14		2.5	0.5	0	-	0.14	0.036 - 0.18	50	
SNZS-M2	M2	0.4		2	2.5	3	3.5	4	5	6	8	10	12	14	3	0.6	0	-	0.22	0.055 - 0.26	50
SNZS-M2.5	M2.5	0.45			3	4	5	6	8	10				3.8	0.8	0	-	0.46	0.13 - 0.34	50	
SNZS-M2.6	M2.6	0.45			2.5	3	4	5	6	8	10			4	0.8	0	-	0.53	0.13 - 0.36	50	

• When purchasing less volume than one full bag, a separate handling fee is charged. For details, see the Sold Separately Service.

• Part number specification



1 Individual Sales	Cleanroom Wash & Packaging	Screw Length Adjustment	Vibration Resistant	Modification process for captive use
Available / Add'l charge	Available / Add'l charge	Not Available	Available / Add'l charge	Not Available