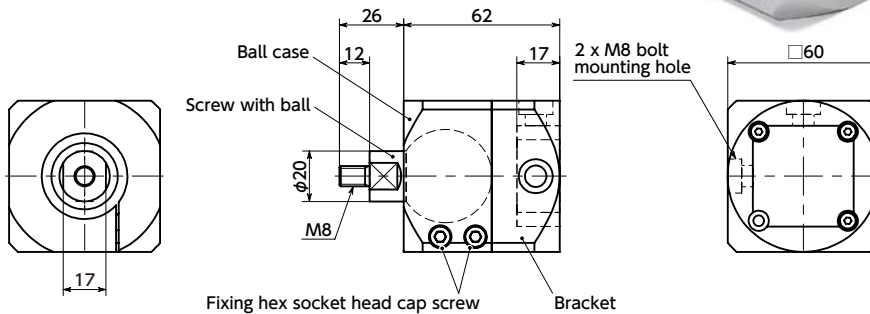


DFKM-AA Ball Joint (Male Screw) - Aluminum Frame End Surface Mounting

Aluminum frame edge mount



● Material/Finish



	DFKM-AA
Ball Case	A6063 Anodized
Screw with ball	S45C Trivalent Chromate Treatment
Fixing Hex Socket Head Cap Screw (M5×16mm)	SCM435 Ferrosoferric Oxide Film
Bracket	A6063 Anodized

- A positioning component utilizing a ball screw. Mount the workpiece to the screw at the ball tip for use.
- The screw with ball can be tilted by $\pm 15^\circ$ and rotated in any direction within 360° .
- By tightening the fixing hex socket head cap screw, securely retain the angle after adjustment.
- Can be mounted to $\square 40$ aluminum frame end surfaces.

● Application

Machine tool / Medical equipment / FPD production device / Semiconductor manufacturing device / Packing machine / Food machinery

Part Number	Tightening Torque *1 (N·m)	Fixing Hex Socket Head Cap Screw Tightening Torque Reference Value (N·m)	Screw With Ball Retention Torque *2 (N·m)	Max. Load Weight (kg)	Mass (g)
DFKM-60-M8-AA-40	12.5	3	10	10	640

*1: Screw tightening torque of the screw with ball.

*2: Retention torque is the value indicated when the hex socket head cap screw is tightening to the torque indicated.

● Hex socket low profile bolts (M8 × 16 mm) × 2 pcs are supplied.

● Part number specification

DFKM-60-M8-AA-40

