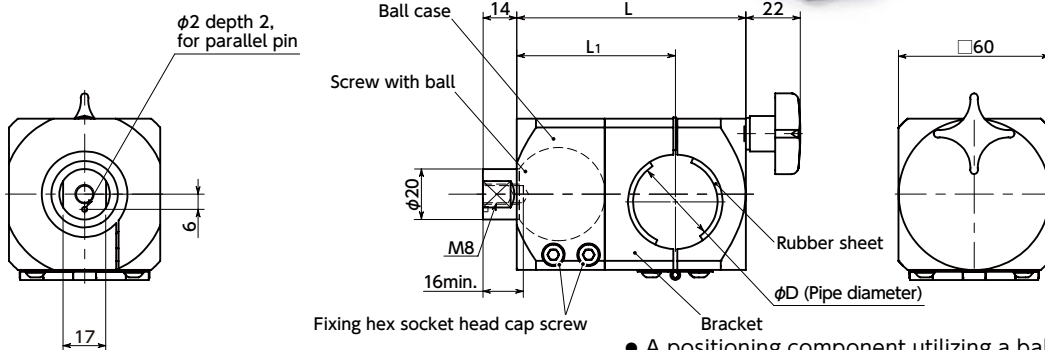


# DFKF-PB Ball Joint (Female Screw 1 - Hole) - Round Pipe Mounting



## Material/Finish



	<b>DFKF-PB</b>
Ball Case	A6063 Anodized
Screw with ball	S45C Trivalent Chromate Treatment
Fixing Hex Socket Head Cap Screw (M5×16mm)	SCM435 Ferrosoferric Oxide Film
Bracket	A6063 Anodized
Rubber sheet	NR (Natural Rubber)

- A positioning component utilizing a ball screw. Mount the workpiece to the screw at the ball tip for use.
- The screw with ball can be tilted by  $\pm 15^\circ$  and rotated in any direction within  $360^\circ$ .
- By tightening the fixing hex socket head cap screw, securely retain the angle after adjustment.
- Can be mounted to round pipe.
- Application

Machine tool / Medical equipment / FPD production device / Semiconductor manufacturing device / Packing machine / Food machinery

Unit : mm

Part Number	D	L	L <sub>1</sub>	Tightening Torque *1 (N·m)	Fixing Hex Socket Head Cap Screw Tightening Torque Reference Value (N·m)	Screw With Ball Retention Torque *2 (N·m)	Max. Load Weight (kg)	Mass (g)
<b>DFKF-60-M8-PB-28</b>	28	83	59	12.5	3	10	10	800
<b>DFKF-60-M8-PB-30</b>	30	83	59	12.5	3	10	10	800
<b>DFKF-60-M8-PB-34</b>	34	83	59	12.5	3	10	10	760
<b>DFKF-60-M8-PB-40</b>	40	91	63	12.5	3	10	10	780
<b>DFKF-60-M8-PB-42.7</b>	42.7	91	63	12.5	3	10	10	750

\*1 : Screw tightening torque of the screw with ball.

\*2 : Retention torque is the value indicated when the hex socket head cap screw is tightening to the torque indicated.

- Fixing rubber sheet is attached.
- All sizes come with stainless steel parallel pins ( $\phi 2 \times 6$ ) that prevent the workpiece from rotating.

- Part number specification

**DFKF-60-M8-PB-30**

