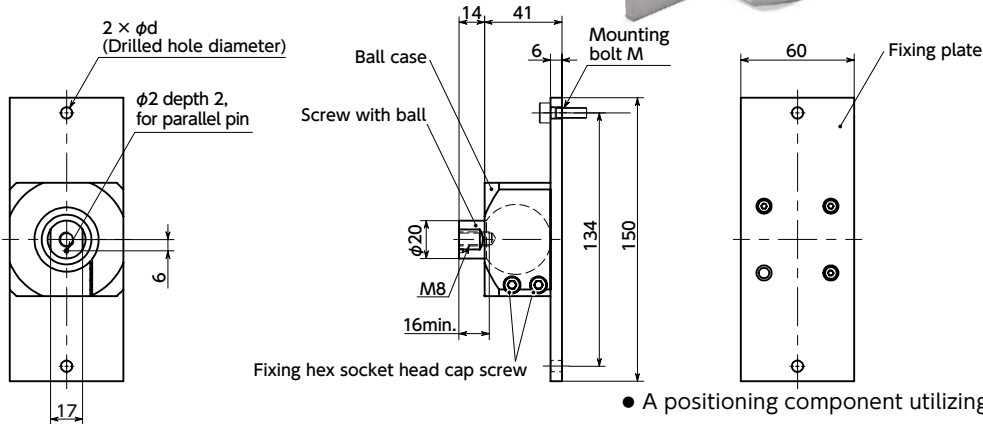


# DFKF-AF Ball Joint (Female Screw 1 - Hole) - Bolt Mounting

Aluminum frame mount
 wall/panel Mount



## Material/Finish



	<b>DFKF-AF</b>
Ball Case	A6063 Anodized
Screw with ball	S45C Trivalent Chromate Treatment
Fixing Hex Socket Head Cap Screw (M5×16mm)	SCM435 Ferrosoferric Oxide Film
Fixing plate	S5400 Electrostatic Coating

- A positioning component utilizing a ball screw. Mount the workpiece to the screw at the ball tip for use.
- The screw with ball can be tilted by  $\pm 15^\circ$  and rotated in any direction within  $360^\circ$ .
- By tightening the fixing hex socket head cap screw, securely retain the angle after adjustment.
- Can be mounted on aluminum frames, wall panels and sheet metal.
- Application

Machine tool / Medical equipment / FPD production device / Semiconductor manufacturing device / Packing machine / Food machinery

Unit : mm

Part Number	M*1	d	Tightening Torque *2 (N·m)	Fixing Hex Socket Head Cap Screw Tightening Torque Reference Value (N·m)	Screw With Ball Retention Torque *3 (N·m)	Max. Load Weight (kg)	Mass (g)
<b>DFKF-60-M8-AF-M4</b>	4	5	12.5	3	10	10	850
<b>DFKF-60-M8-AF-M5</b>	5	6	12.5	3	10	10	850
<b>DFKF-60-M8-AF-M6</b>	6	7	12.5	3	10	10	850
<b>DFKF-60-M8-AF-M8</b>	8	9	12.5	3	10	10	850

\*1 : Mounting bolts are not supplied.

\*2 : Screw tightening torque of the screw with ball.

\*3 : Retention torque is the value indicated when the hex socket head cap screw is tightening to the torque indicated.

• All sizes come with stainless steel parallel pins ( $\phi 2 \times 6$ ) that prevent the workpiece from rotating.

- Part number specification

## DFKF-60-M8-AF-M5

