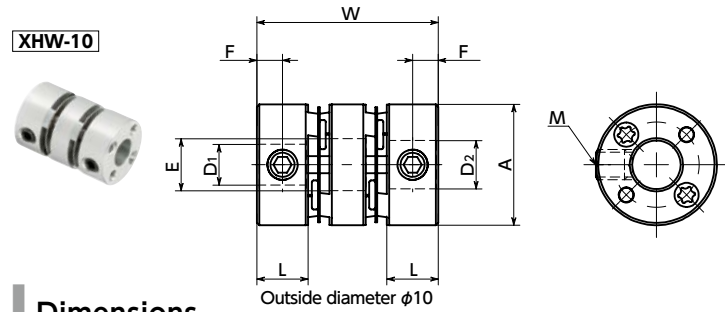


XHW-C/XHW-C-L Flexible Couplings - Disk Type

Zero Backlash High torque High Rigidity



Dimensions

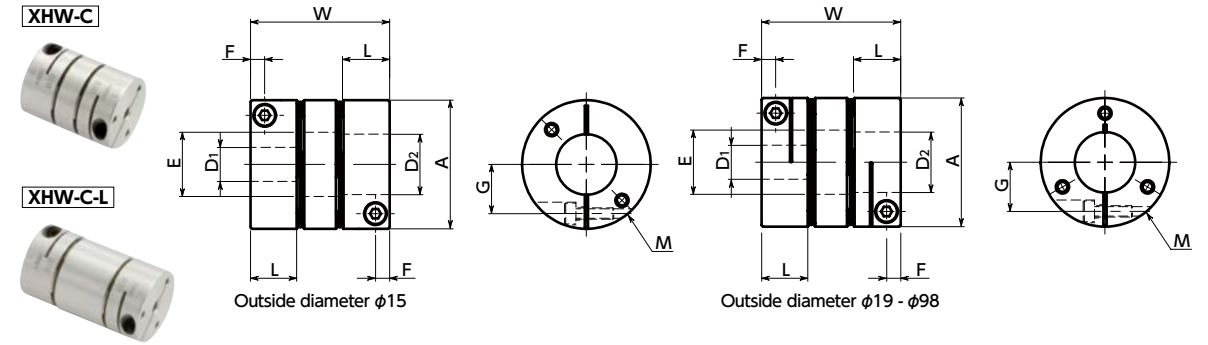
Unit : mm

Part Number	A	L	W	E	F	G	M	Screw Tightening Torque (N·m)
XHW-10	10	4.25	15	4.3	2.125	-	M2.5	0.5
XHW-15C	15	7.8	22.4	6.3	2.3	5	M2	0.45
XHW-19C	19	9.2	25.7	8.5	2.6	7	M2	0.5
XHW-25C	25	11	32.2	12.5	3.3	9.25	M2.5	1
XHW-27C	27	11	32.2	14.5	3.3	10.25	M2.5	1
XHW-34C	34	12.5	36.8	16.5	3.75	13	M3	1.5
XHW-39C	39	15.5	46.6	20.5	4.5	14.5	M4	3.5
XHW-44C	44	15.5	46.6	22.5	4.5	17	M4	3.5
XHW-56C	56	20.5	61.2	28.5	6	21	M5	8
XHW-64C	64	24	74.4	36	7	24	M6	13
XHW-79C	79	30	97.2	43	8.75	29	M8	28
XHW-98C	98	32	104	51	8.7	38	M8	28
XHW-19C-L	19	9.2	34	8.5	2.6	7	M2	0.5
XHW-25C-L	25	11	42	12.5	3.3	9.25	M2.5	1
XHW-27C-L	27	11	42	14.5	3.3	10.25	M2.5	1
XHW-34C-L	34	12.5	44	16.5	3.75	13	M3	1.5
XHW-39C-L	39	15.5	55	20.5	4.5	14.5	M4	3.5

Part Number	Standard Bore Diameter D1/D2																													
	2	3	4	5	6	6.35	8	9.525	10	11	12	14	15	16	17	18	19	20	22	24	25	28	30	32	35	38	40	42	45	50
XHW-10	●	●	●																											
XHW-15C		●	●	●	●																									
XHW-19C			●	●	●	●	●																							
XHW-25C				●	●	●	●	●																						
XHW-27C					●	●	●	●	●																					
XHW-34C						●	●	●	●	●																				
XHW-39C							●	●	●	●	●																			
XHW-44C								●	●	●	●	●																		
XHW-56C									●	●	●	●	●																	
XHW-64C										●	●	●	●	●																
XHW-79C												●	●	●	●	●	●													
XHW-98C																														
XHW-19C-L		●	●	●	●	●																								
XHW-25C-L			●	●	●	●	●																							
XHW-27C-L				●	●	●	●	●																						
XHW-34C-L					●	●	●	●	●																					
XHW-39C-L						●	●	●	●	●																				

- All products are provided with hex socket head cap screw. (Only XHW-10 is provided with hex socket set screws.)
- Recommended tolerance for shaft diameters is h6 and h7. (Recommended tolerance for shaft diameter φ35 only is -0.025 to +0.010.)
- Bore/keyway additional modification and stainless steel screw change service are not available for XHW-10.

Additional Keyway at Shaft Hole Available / Add'l charge	Cleanroom Wash & Packaging Please feel free to contact us	Change to Stainless Steel Screw Available / Add'l charge
---	--	---



Performance

Part Number	Max. Bore Diameter (mm)	Rated Torque *1 (N·m)	Max. Rotational Frequency (min ⁻¹)	Moment of Inertia *2 (kg·m ²)	Static Torsional Stiffness (N·m/rad)	Max. Lateral Misalignment (mm)	Max. Angular Misalignment (°)	Max. Axial Misalignment (mm)	Mass *2 (g)
XHW-10	4	0.25	63000	3.8×10 ⁻⁸	70	0.05	1.4	±0.2	2.5
XHW-15C	6	0.6	42000	3.0×10 ⁻⁷	100	0.1	1.4	±0.2	9.6
XHW-19C	8	1.5	33000	8.8×10 ⁻⁷	300	0.12	2	±0.2	17
XHW-25C	12	3	25000	3.4×10 ⁻⁶	1000	0.15	2	±0.3	35
XHW-27C	14	3.3	23000	4.4×10 ⁻⁶	1400	0.15	2	±0.4	39
XHW-34C	16	6.3	18000	1.3×10 ⁻⁵	2500	0.2	2	±0.5	75
XHW-39C	20	12	16000	2.9×10 ⁻⁵	4700	0.25	2	±0.5	123
XHW-44C	22	15	14000	4.7×10 ⁻⁵	6400	0.25	2	±0.6	156
XHW-56C	28	37.5	11000	1.7×10 ⁻⁴	12000	0.3	2	±0.7	340
XHW-64C	35	50	9800	3.3×10 ⁻⁴	15000	0.35	2	±0.9	490
XHW-79C	42	100	7900	1.0×10 ⁻³	22000	0.5	2	±1.1	1100
XHW-98C	50	280	6400	2.6×10 ⁻³	47000	0.5	2	±1.3	1740
XHW-19C-L	8	1.5	33000	1.2×10 ⁻⁶	300	0.25	2	±0.2	22
XHW-25C-L	12	3	25000	4.3×10 ⁻⁶	1000	0.3	2	±0.3	45
XHW-27C-L	14	3.3	23000	5.8×10 ⁻⁶	1400	0.3	2	±0.4	50
XHW-34C-L	16	6.3	18000	1.6×10 ⁻⁵	2500	0.3	2	±0.5	89
XHW-39C-L	20	12	16000	3.4×10 ⁻⁵	4700	0.4	2	±0.5	144

- *1: Correction of rated torque due to load fluctuation is not required. The shaft's slip torque may be smaller than the coupling's rated torque depending on the shaft bore.
- *2: These are values with max. bore diameter.

⚠ Precautions for Use

- In case of mounting on D-cut shaft, be careful about the position of the D-cut surface of the shaft.
- There are sizes where the hex socket head cap screw exceeds the outer diameter of the coupling and the rotating diameter is larger than the outer diameter. Please be careful of the interference of coupling.

• Part Number Specification

XHW-25C-L-8-10

