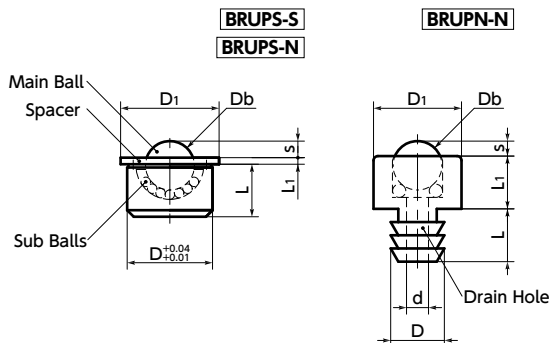




# BRUPS/BRUPN Ball Rollers - Press Fit Type

SUS Stainless steel



## ⚠ Precautions for Use

- **BRUPS** is for upward applications only. If it is used for downward or sideward applications, the product may be damaged or the ball may malfunction.
- **BRUPN-N** can be used in upward, downward, and sideward applications.
- Part number specification

- Press fit type ball rollers for upward applications.
- Because the body section is inserted, **BRUPS** can reduce the height.
- Recommended dimensional allowance of attachment hole is H7.
- You can select from the following main body and main ball combinations : stainless steel and polyacetal.
- **BRUPS** has a small coefficient of friction and workpieces can be moved with less force. → P.xxxx
- **BRUPN-N** has a drain hole and is intended for food production lines and other applications that require cleaning.

## ● Application

FPD production equipment, semiconductor devices, food production lines, and packaging lines

## BRUPS-15-N

Product Code    D    Main Ball : "N" or "S"

## ● Material/Finish



	BRUPS-S	BRUPS-N	BRUPN-N
Main Body	SUS304	SUS304	Polyacetal/White
Main Ball	SUS440C (Hardness 55HRC or Higher)	Polyacetal/White	Polyacetal/White
Sub Ball	SUS440C (Hardness 55HRC or Higher)	SUS440C (Hardness 55HRC or Higher)	SUS440C (Hardness 55HRC or Higher)
Spacer	SUS304	SUS304	

### BRUPS-S | BRUPS-N Main Body: Made of Stainless Steel

Unit : mm

BRUPS-S Main Ball: Stainless Steel		BRUPS-N Main Ball: Polyacetal		Common Dimensions						
Part Number	Withstand Load (N)	Part Number	Withstand Load (N)	D	D1	L	L1	s	Db	Mass (g)
BRUPS-7.5-S	12	BRUPS-7.5-N	6	7.5	9	4	1	1.1	4	1.7
BRUPS-9-S	14	BRUPS-9-N	7	9	11	5	1	1.2	4.76	3.2
BRUPS-11-S	41	BRUPS-11-N	27	11	13	6	1	1.5	5.56	5.3
BRUPS-15-S	55	BRUPS-15-N	34	15	17	9	1	2.5	8.73	13
BRUPS-18-S	62	BRUPS-18-N	55	18	20	10	1	3.5	10.32	21
BRUPS-24-S	343	BRUPS-24-N	69	24	26	14	1.5	5.3	15.87	55
BRUPS-30-S	412	BRUPS-30-N	82	30	32	17	2	6.3	19.05	106

### BRUPN Main Body and Main Ball: Polyacetal

Unit : mm

Part Number	D	D1	L	L1	s	Db	d	Withstand Load (N)	Mass (g)
BRUPN-5-N	5.1	8	5	5	1.5	4.76	1.5	2	0.42
BRUPN-6-N	6.1	10	6	6	1.7	5.56	2.5	4	0.83
BRUPN-8-N	8.1	13	8	8	2.8	8.73	3	7	2
BRUPN-10-N	10.1	17	10	10	3.5	10.32	3.5	11	4.1

Individual Sales → P.xxxx 1 piece in 1 pack	Cleanroom Wash & Packaging → P.xxxx Please feel free to contact us	Screw Length Adjustment → P.xxxx Not Available	Vibration Resistant → P.xxxx Not Available
--	---	---	---