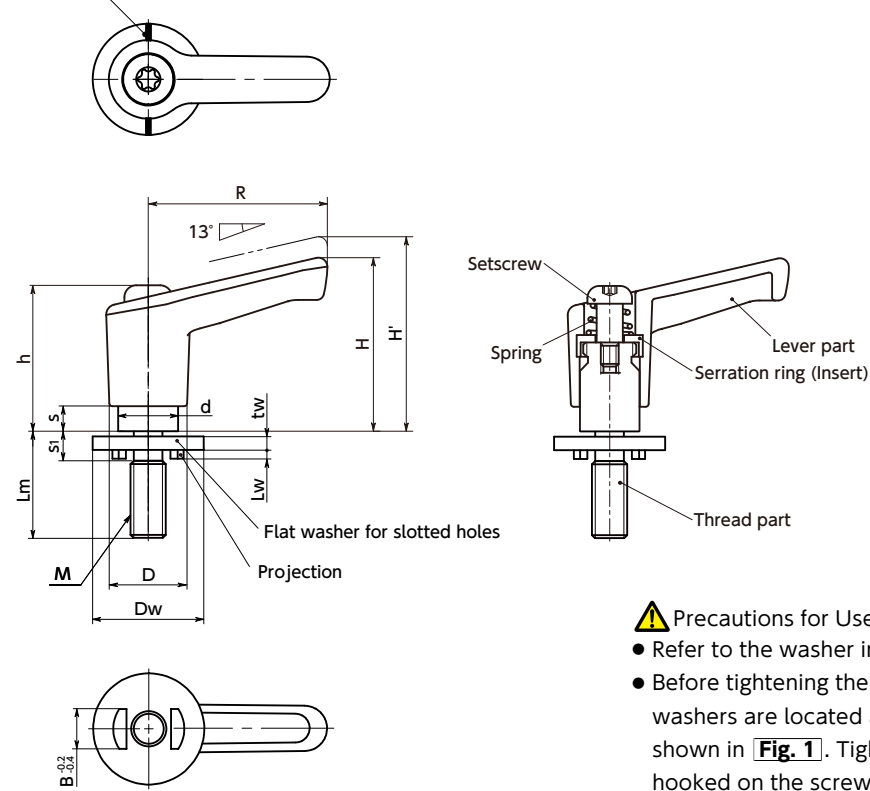
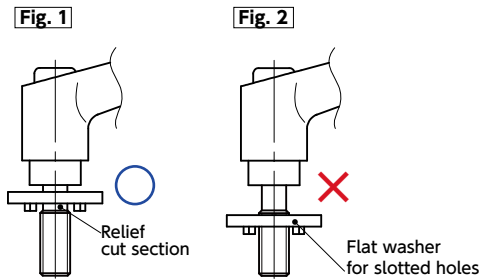


Pointer (laser engraving)



- ⚠ Precautions for Use**
- Refer to the washer index as a guide.
  - Before tightening the lever, make sure that the washers are located at the relief cut section as shown in **Fig. 1**. Tightening the washer while hooked on the screw thread as shown in **Fig. 2** may cause the washer to be deformed.



● Material/Finish



	<b>LECM-LWP</b>
Lever Part	Nylon 6 (Various Color)
Thread Part	SUM22L Ferroferric Oxide Film (Black)
Flat Washer for Slotted Holes	SUS303
Setscrew	Steel Ferroferric Oxide Film (Black)
Serration Ring	Zinc Die Cast
Spring	Stainless Steel Wire

**Dimensions**

Unit : mm

Part Number	M (Coarse)		R	H	H'	h	s	D	d	Dw	tw	Lw	s1	B*1	Tooth No.	Max. Load (N)*2	Max.*2 Clamping Force (kN)	Mass (g)
	Nominal of Thread	Pitch																
<b>LECM-5-LWP20</b>	M5	0.8	30	29	32.5	24.5	4.2	13	10	20	2	2	4	5.5	18	62	2.7	21 - 26
<b>LECM-6-LWP20</b>	M6	1	30	29	32.5	24.5	4.2	13	10	20	2	2	5	6.6	18	110	3.8	22 - 28

\*1: Set the width of the slotted hole to match the washer projection B dimension.

\*2: About the definition of max. load / max. clamping force → P.xxxx

● Part number specification

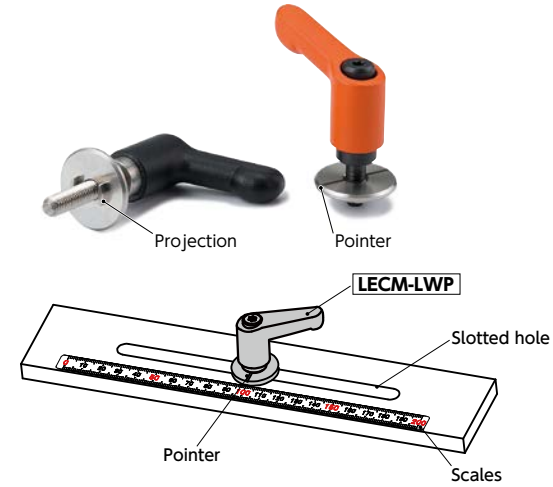
**LECM-5-20-LWP20-BK**



For **2** screw length Lm, select from the sizes marked with ● in the table.

Cleanroom Wash & Packaging → P.xxxx	Screw Combination → P.xxxx	Screw Length Adjustment → P.xxxx	Vibration Resistant → P.xxxx	Laser Marking → P.xxxx
Not Available	Not Available	Available / Add'l charge	Not Available	Available / Add'l charge

- Miniature plastic clamp lever with flat washer for slotted holes.
- The projection on the washer seating surface prevents the washer from turning and the pointer on the top always points to the scale, making it suitable for a slide mechanism that uses slotted holes.



- Washers are built into the relief cut section to prevent them from falling off. This also eliminates the need to mount washers.
- The outside diameter of the washer is about 3 times the screw diameter. This provides a sufficient seating surface for the tightening area.
- The product development was conducted with LCA (Life Cycle Assessment), in consideration for the environmental load, especially for global warming.
- Greenhouse effect gas emission is reduced by 6.5% compared to conventional products.
- The zinc die cast serration ring is inserted into the plastic lever main unit. It achieves sufficient fitting strength with the metal screw serrations.
- The lever is available in 5 color variations. They can be selected by the end symbol of the part number.

End Symbol	Lever Part Color
<b>BK</b>	Matte Black
<b>SG</b>	Matte Silver
<b>OR</b>	Matte Orange
<b>YW</b>	Matte Yellow
<b>SK</b>	Matte Transparent

Part Number	Lm (mm)						
	12	16	20	25	32	40	50
<b>LECM-5-LWP20</b>	●	●	●	●	●	●	●
<b>LECM-6-LWP20</b>	●	●	●	●	●	●	●



● Related Products

Various scales such as stainless steel, polyester, vertical and horizontal types are available.



Through-hole type **SWAS-PPK** the same shape as **LECM-LWP** with flat washer for slotted holes is available.

