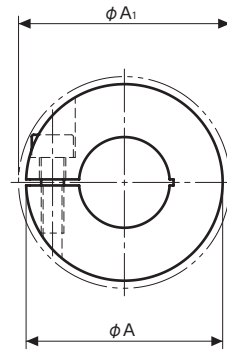


Rotation Diameter

Rotation diameter refers to the larger of the coupling outer diameter (ϕA) or the diameter with the bolt head protruding (ϕA_1) while rotating.

When using couplings in narrow spaces, pay attention to the rotation diameter. Refer to the table below for rotation diameter details.

The rotation diameter is calculated based on the reference dimensions. As it fluctuates according to tolerance, build a margin into your design values.



ϕA : Coupling outer diameter
 ϕA_1 : Bolt head protrusion diameter
 Rotation diameter : The larger value of ϕA or ϕA_1

Rotation Diameter Part Number List

Bolt head protrusion diameter values that are larger than the coupling outer diameter are listed in red.

High-gain Rubber Type

Part number \ Outer diameter	15	19	25	27	30	34	39	44	56
XGT2-C	15	19	25	27	30	34	39	44	56
XGL2-C	15	19	25	27	30	34	39	-	-
XGS2-C	15	19	25	27	30	34	39	-	-

Part number \ Outer diameter	15	19	25	27	30	34	39	44	56
XGT-C • XGT-CS	15	19	25	27	30	34	39	44	56
XGL-C	15	19	25	27	30	34	39	-	-
XGS-C • XGS-CS	15	19	25	27	30	34	39	-	-

Disk Type

Part number \ Outer diameter	15	19	25	27	34	39	44	56	64	79
XHW-C • XHW-C-L	15	19.1	25	27	34	39	44	56	64	79
XHS-C	15	19.1	25	27	34	39	44	56	64	79

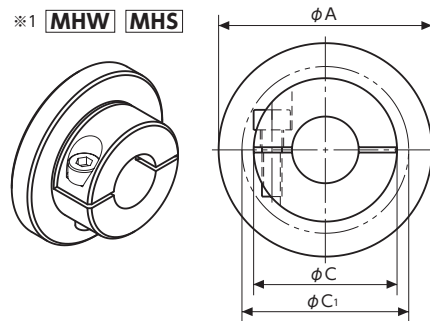
Part number \ Outer diameter	15	19	25	27	34	39	44	56	68	82	94	104
XBW-C	15	19	25	27	34	39	44	56	68	82	94	104
XBWS-C	15	19	25	27	34	39	44	56	-	-	-	-
XBS-C	15	19	25	27	34	39	44	56	68	82	94	104
XBSS-C	15	19	25	27	34	39	44	56	-	-	-	-

Part number \ Outer diameter	19	25	32	40	50	63
MDW-C	19	25	32	40	50	63
MDS-C	19	25	32	40	50	63

Part number \ Part A rotation diameter	32	40	50	63	63※2
MHW-C※1	32	40	50	63	63
MHS-C※1	32	40	50	63	63

Part number \ Part C (hub) rotation diameter	32	40	50	63	63※2
MHW-C※1	24.6	31.2	41.9	49	50.4
MHS-C※1	24.3	31.2	41.9	49	50.4

※2 For $\phi 25$ shaft holes



ϕA : Coupling outer diameter
 ϕC : Hub outer diameter
 ϕC_1 : Hub bolt head protrusion diameter
 Part A rotation diameter : Coupling outer diameter
 Hub rotation diameter : The larger value of ϕC or ϕC_1

Slit Type

Part number \ Outer diameter	16	19	24	29	34	39	44
MSX-C	16	19.1	24.8	29	34	39	44

Part number \ Outer diameter	12	16	20	25	32	40	50	63
MST-C • MST5-C	14	17.5	20	25.8	32.5	42.2	51.5	66.7

Part number \ Outer diameter	12	16	20	25	32
MWS-C • MWSS-C	14	17.5	20	25.8	32.5

Jaw Type

Part number \ Outer diameter	14	20	30	40	55	65	80	95								
Bore	3 - 5	6 - 7	4 - 8	9.525 - 11	6 - 12	14 - 16	8 - 20	22 - 25	10 - 28	30 - 32	14 - 32	35 - 38	20 - 42	45	25 - 48	50 - 55
MJT-C • MJT-CK	14.7	14.8	20.1	21.1	30.8	30.4	41.3	42.8	55.1	55	66.7	65	80	81.1	95	97.7

Oldham Type

Part number \ Outer diameter	12	15	17	20	26	30	34	38	45	55	68
MOR-C • MOR-CK	14.1	17.2	19.6	24	27.5	33	35.7	42.3	45.5	55	70.4

Part number \ Outer diameter	15	17	20	26	30	34	38	45	55	70
MOM-C • MOM-CK	15.2	17.1	21.8	26.7	30.3	35.2	38.7	45	55	70

Part number \ Outer diameter	16	20	25	32	40	50	63
MOL-C	17.5	20	26.2	32.5	40	50	63

Part number \ Outer diameter	12	16	20	25	32
MOS-C	14.1	17.4	20	25.8	32.5

Bellows Type

Part number \ Outer diameter	12	16	20	25	32
MFB-C	14.1	17.5	20	25.8	32.5
MFBS-C	14.2	17.6	20.1	25.9	32.6

Rigid Type

Part number \ Outer diameter	16	19	24	34	39
XRP-C	16	19.2	24.4	34	39

Part number \ Outer diameter	16	20	25	32	40	50	65
MRG-C • MRGS-C	17.6	20.1	25.9	32.6	41.5	51.9	67.3
MRG-W • MRGS-W	17.6	20.1	25.9	32.6	41.5	51.9	67.3

Part number \ Outer diameter	16	20	25	32
MLR-C • MLRS-C	16	20	25	32
MLR-V • MLRS-V	16	20	25	32

Cleanroom / Vacuum / Heat Resistant Type

Part number \ Outer diameter	25	32	40	50	63
XSTS-C	25.8	32.5	42.2	51.5	66.7

Part number \ Outer diameter	25	32
XWSS-C	25.8	32.5

Part number \ Outer diameter	25	30	36
MSXP-C	25	30	36

Part number \ Outer diameter	19	26	32
MOHS-C	20	25.8	31.7

Part number \ Outer diameter	20	25	32
MOP-C	20	25.8	32